

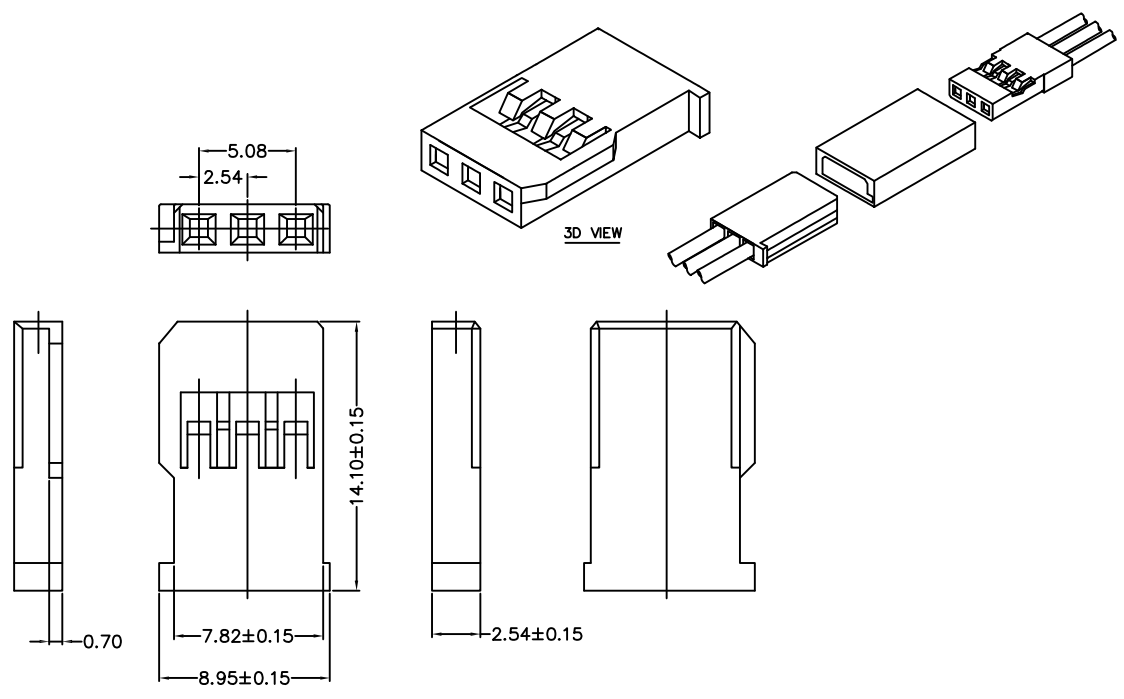
1 2 3 4 5 6 7 8 9 10


A  
B  
C  
D  
E  
F  
G

A  
B  
C  
D  
E  
F  
G

**SPECIFICATIONS**  
 Voltage Rating: 250V AC/DC  
 Current Rating: 3A AC/DC  
 Withstanding Voltage: 1500V AC/minute  
 Insulation Resistance: 1000MΩ min.  
 Temperature Range: -25° C - +85° C  
 Contact Resistance: 20mΩ max

**HOUSING**  
 Part No: SCT2546H1-03PB  
 Poles: 03  
 Material: PA66/PBT  
 Q' ty: 10,000 pcs



						OPERATION	DRAW	WENDY	2016.11.07	SCALE		 森康达电子有限公司 S'CONDAR ELECTRONIC LIMITED	
						~ 10 ±0.15	DESIGN			UNIT	mm		
						20 ~ 30 ±0.30	CHECK	MICKY	2016.11.07	SIZE	A4	PART NO.	SCT2546H1-03PB
0	05/12/27	NEW				30 ~ ±0.50	APPROVE	ALLEN	2016.11.07	SHEET	1/1	TITLE:	Dupont2.54 3P B Housing
REV	DATE	MODIFICATION DESCRIPTION			CHANGE	APPROVE				PROJ.	◆	DRAWING NO.	SCT2546

1 2 3 4 5 6 7 8 9 10

H

H