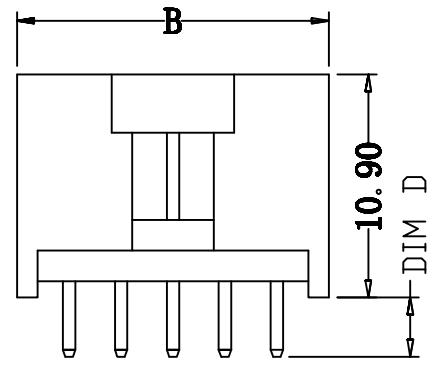
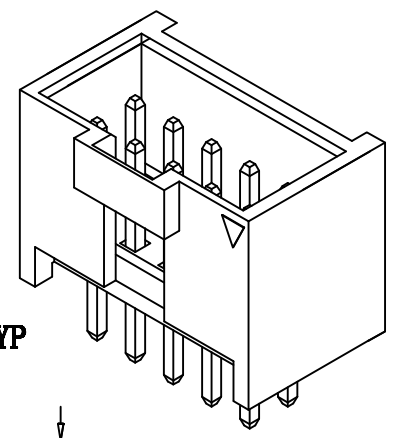
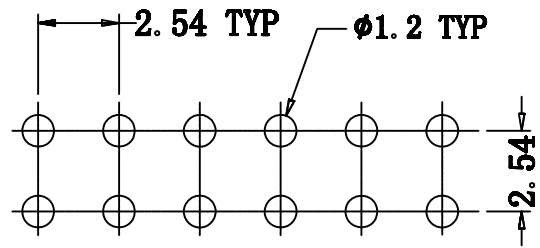
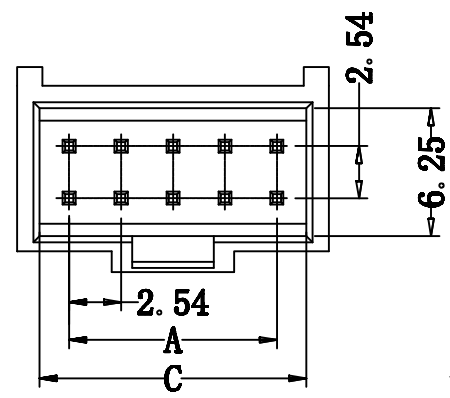


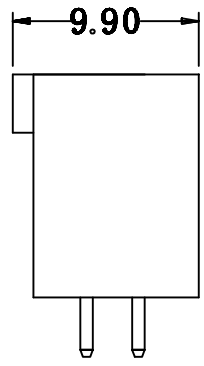
1 2 3 4 5 6 7 8 9 10

A
B
C
D
E
F
G

A
B
C
D
E
F
G



DIM D
2.50mm
2.90mm



SPECIFICATIONS

Voltage Rating: 250V AC/DC
 Current Rating: 3A AC/DC
 Withstanding Voltage: 1500V AC/minute
 Insulation Resistance: 1000M Ω min.
 Temperature Range: -25 $^{\circ}$ C - +85 $^{\circ}$ C
 Contact Resistance: 20m Ω max

WAFER

Part No: SCT2544WV-2*XXP
 Poles: 6-40
 Material: PBT, UL94V-0
 Pin: Brass/Gold-flash or Tin plated
 Q'TY: 1,000PCS/Bag

Poles	Dimensions (mm)		
	A	B	C
6	5.08	10.12	8.12
8	7.62	12.66	10.66
10	10.16	15.20	13.20
12	12.70	17.74	15.74
14	15.24	20.28	18.28
16	17.78	22.82	20.82
18	20.32	25.36	23.36
20	22.86	27.90	25.90
22	25.40	30.44	28.44
24	27.94	32.98	30.98
26	30.48	35.52	33.52
28	33.02	38.06	36.06
30	35.56	40.60	38.60
32	38.10	43.14	41.15
34	40.64	45.68	43.68
36	43.18	48.22	46.22
38	45.72	50.76	48.76
40	48.26	53.30	51.30

					OPERATION	DRAW	YANG	2015.12.01	SCALE		森康达电子有限公司 SCONDAR ELECTRONIC LIMITED	
					~ 10 ± 0.15	DESIGN			UNIT	mm		
					20 ~ 30 ± 0.30	CHECK	MICKY	2015.12.01	SIZE	A4	PART NO.	SCT2544WV-2*XXP
0	05/12/27		NEW		30 ~ ± 0.50	APPROVE	ALLEN	2015.12.01	SHEET	1/1	TITLE:	MX2.54 CD-ROM 180C WAFER
REV	DATE		MODIFICATION DESCRIPTION	CHANGE	APPROVE	APPROVE	ALLEN	2015.12.01	PROJ.		DRAWING NO.	SCT2544

1 2 3 4 5 6 7 8 9 10