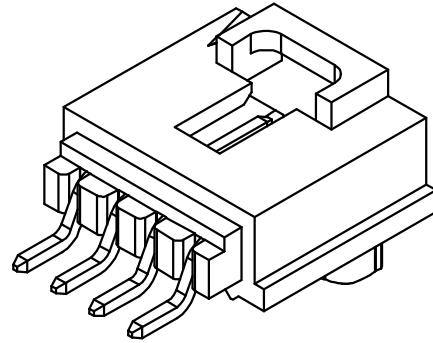


PCB LAYOUT

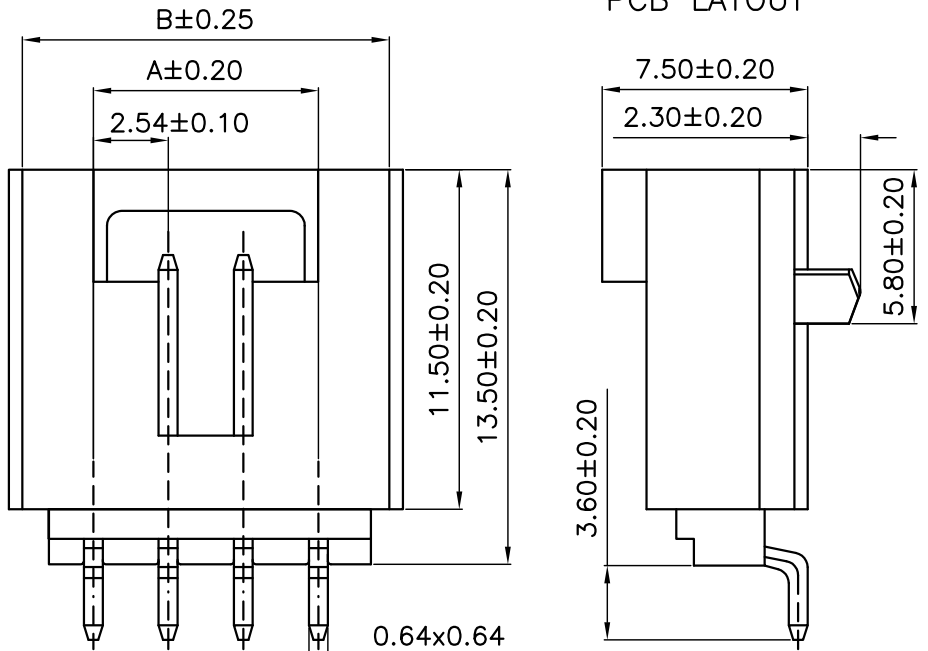


SPECIFICATIONS

Voltage Rating: 250V AC/DC
 Current Rating: 2A AC/DC
 Withstanding Voltage: 500V AC/minute
 Insulation Resistance: 1000MΩ min.
 Temperature Range: -25° C - +85° C
 Contact Resistance: 20mΩ max

WAFER

Part No: SCT2544WR-S-XXP
 Poles: 2-20
 Material: PA66, UL94V-2
 Pin: Brass, Tin plated



PART NO.	Dimensions	
	A	B
SCT2544WR-S-02P	2.54	7.62
SCT2544WR-S-03P	5.08	10.16
SCT2544WR-S-04P	7.62	12.70
SCT2544WR-S-05P	10.16	15.24
SCT2544WR-S-06P	12.70	17.78
SCT2544WR-S-07P	15.24	20.32
SCT2544WR-S-08P	17.78	22.86
SCT2544WR-S-09P	20.32	25.40
SCT2544WR-S-10P	22.86	27.94
SCT2544WR-S-11P	25.40	30.48
SCT2544WR-S-12P	27.94	33.02

PART NO.	Dimensions	
	A	B
SCT2544WR-S-13P	30.48	35.56
SCT2544WR-S-14P	33.02	38.10
SCT2544WR-S-15P	35.56	40.64
SCT2544WR-S-16P	38.10	43.18
SCT2544WR-S-17P	40.64	45.72
SCT2544WR-S-18P	43.18	48.26
SCT2544WR-S-19P	45.72	50.80
SCT2544WR-S-20P	48.26	53.34

					OPERATION	DRAW	CHENA	2010.02.11	SCALE		森康达电子有限公司 S'CONDAR ELECTRONIC LIMITED	
					~ 10 ±0.15	DESIGN			UNIT	mm		
					20 ~ 30 ±0.30	CHECK	MICKY	2010.02.11	SIZE	A4	PART NO.	SCT2544WR-S-XXP
					30 ~ ±0.50	APPROVE	HELLEN	2010.02.11	SHEET	1/1	TITLE:	MX2.54 CD-ROM SMT 90C WAFER
REV	DATE	MODIFICATION DESCRIPTION	CHANGE	APPROVE	Angle ± 2'				PROJ.	◆ ←	DRAWING NO.	SCT2544
					DIM TOL							