

1 2 3 4 5 6 7 8 9 10

A

A

B

B

C

C

D

D

E

E

F

F

G

G

SPECIFICATIONS

Voltage Rating: 250V AC/DC

Current Rating: 4A AC/DC

Withstanding Voltage: 1000V AC/minute

Insulation Resistance: 1000MΩ min.

Temperature Range: -25° C - +85° C

Contact Resistance: 20mΩ max

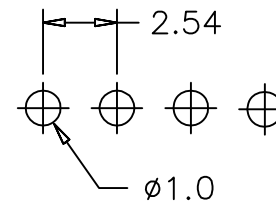
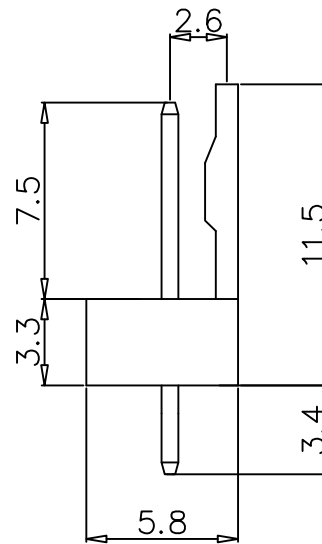
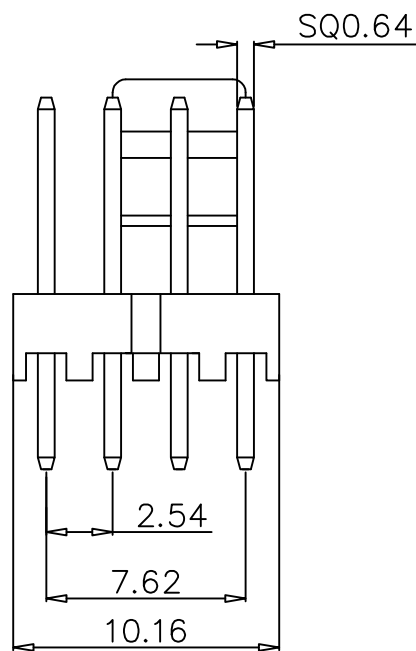
WAFER

Part No: SCT2541WV-4P3KB

Poles: 4

Material: Nylon 66, UL94V-2


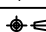
Pin: Brass, Tin plated



P.C.B LAYOUT

H

H

						OPERATION	DRAW	YANG	2016.09.01	SCALE		 森康达电子有限公司 SCONDAR ELECTRONIC LIMITED	
						~ 10 ±0.15	DESIGN			UNIT	mm		
						20 ~ 30 ±0.30	CHECK	MICKY	2016.09.01	SIZE	A4	PART NO.	SCT2541WV-4P3KB
						30 ~ ±0.50	APPROVE	ALLEN	2016.09.01	SHEET	1/1	TITLE:	MX2.54 180C Wafer
REV	DATE	MODIFICATION DESCRIPTION	CHANGE	APPROVE		Angle DIM				PROJ.		DRAWING NO.	SCT2541

1 2 3 4 5 6 7 8 9 10