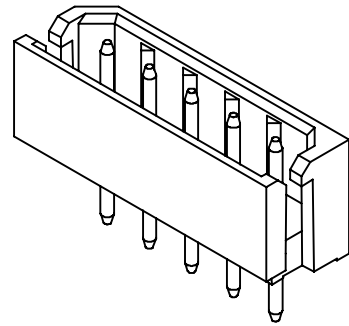


1 2 3 4 5 6 7 8 9 10

A
B
C
D
E
F
G

A
B
C
D
E
F
G

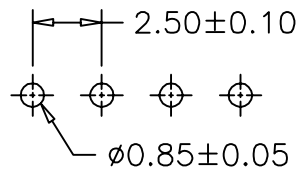
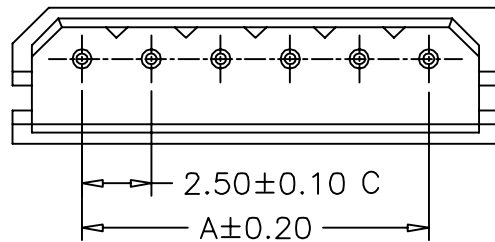


SPECIFICATIONS

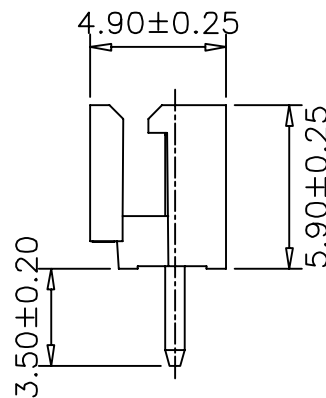
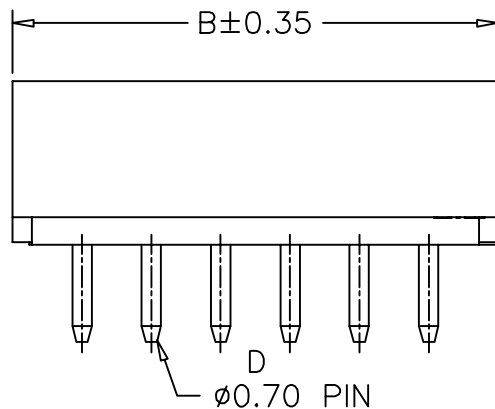
Voltage Rating: 250V AC/DC
 Current Rating: 3A AC/DC
 Withstanding Voltage: 1000V AC/minute
 Insulation Resistance: 1,000MΩ min.
 Temperature Range: -25° C - +85° C
 Contact Resistance: 20mΩ max

WAFER

Part No: SCT2513WV-XXP
 Poles: 2-16
 Material: Nylon 66, UL94V-0
 Pin: Brass, Tin plated



P.C.B LAYOUT



PART NO.	Dimensions	
	A	B
SCT2513WV-02P	2.50	7.50
SCT2513WV-03P	5.00	10.00
SCT2513WV-04P	7.50	12.50
SCT2513WV-05P	10.00	15.00
SCT2513WV-06P	12.50	17.50
SCT2513WV-07P	15.00	20.00
SCT2513WV-08P	17.50	22.50
SCT2513WV-09P	20.00	25.00
SCT2513WV-10P	22.50	27.50
SCT2513WV-11P	25.00	30.00
SCT2513WV-12P	27.50	32.50
SCT2513WV-13P	30.00	35.00
SCT2513WV-14P	32.50	37.50
SCT2513WV-15P	35.00	40.00
SCT2513WV-16P	37.50	42.50

					OPERATION	DRAW	CHENA	2010.12.03	SCALE		森康达电子有限公司 SCONDAR ELECTRONIC LIMITED	
					~ 10 ±0.15	DESIGN			UNIT	mm		
					20 ~ 30 ±0.30	CHECK	MICKY	2010.12.03	SIZE	A4	PART NO.	SCT2513WV-XXP
					30 ~ ±0.50	APPROVE	HELLEN	2010.12.03	SHEET	1/1	TITLE:	MOLEX2.5 180C WAFER
REV	DATE	MODIFICATION DESCRIPTION	CHANGE	APPROVE	Angle DIM	± 2° TOL			PROJ.	◆	DRAWING NO.	SCT2513

1 2 3 4 5 6 7 8 9 10