

1 2 3 4 5 6 7 8 9 10

A

B

C

D

E

F

G

A

B

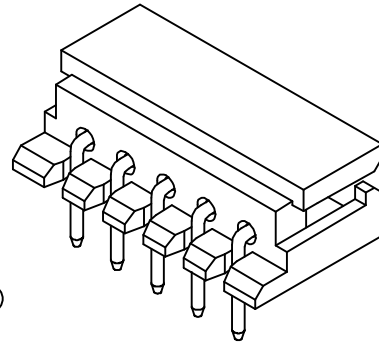
C

D

E

F

G

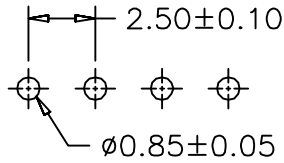
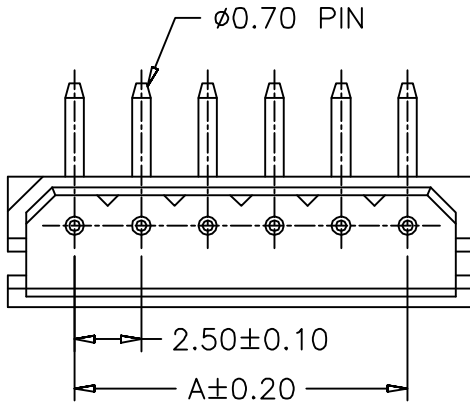


SPECIFICATIONS

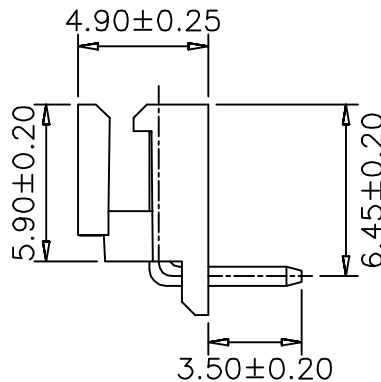
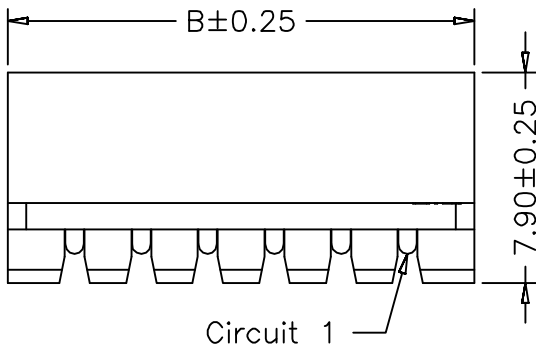
Current Rating: 3A AC,DC
 Voltage Rating: 250V AC,DC
 Temperature Range: -25°C ~ +85°C
 Contact Resistance: 20mΩ Max
 Insulation Resistance: 1000MΩ Min
 Withstanding Voltage: 1000V AC/minute
 Pin Material: Brass/Tin-plated
 Material: Nylon 66,UL94V-0
 Pantone Color: 7506C

Ordering Information & Dimensions

PART NO.	Dimensions	
	A	B
SCT2513WR-02P	2.50	7.50
SCT2513WR-03P	5.00	10.00
SCT2513WR-04P	7.50	12.50
SCT2513WR-05P	10.00	15.00
SCT2513WR-06P	12.50	17.50
SCT2513WR-07P	15.00	20.00
SCT2513WR-08P	17.50	22.50
SCT2513WR-09P	20.00	25.00
SCT2513WR-10P	22.50	27.50
SCT2513WR-11P	25.00	30.00
SCT2513WR-12P	27.50	32.50
SCT2513WR-13P	30.00	35.00
SCT2513WR-14P	32.50	37.50
SCT2513WR-15P	35.00	40.00
SCT2513WR-16P	37.50	42.50



P.C.B LAYOUT



H

H

					OPERATION	DRAW	CHENA	2010.12.03	SCALE		森康达电子有限公司 SCONDAR ELECTRONIC LIMITED	
					~ 10 ±0.15	DESIGN			UNIT	mm		
					20 ~ 30 ±0.30	CHECK	MICKY	2010.12.03	SIZE	A4	PART NO.	SCT2513WR-XXP
0	05/12/27		NEW		30 ~ ±0.50	APPROVE	HELLEN	2010.12.03	SHEET	1/1	TITLE:	MOLEX2.5 90C WAFER
REV	DATE		MODIFICATION DESCRIPTION	CHANGE	APPROVE	APPROVE	HELLEN	2010.12.03	PROJ.		DRAWING NO.	SCT2513

1 2 3 4 5 6 7 8 9 10