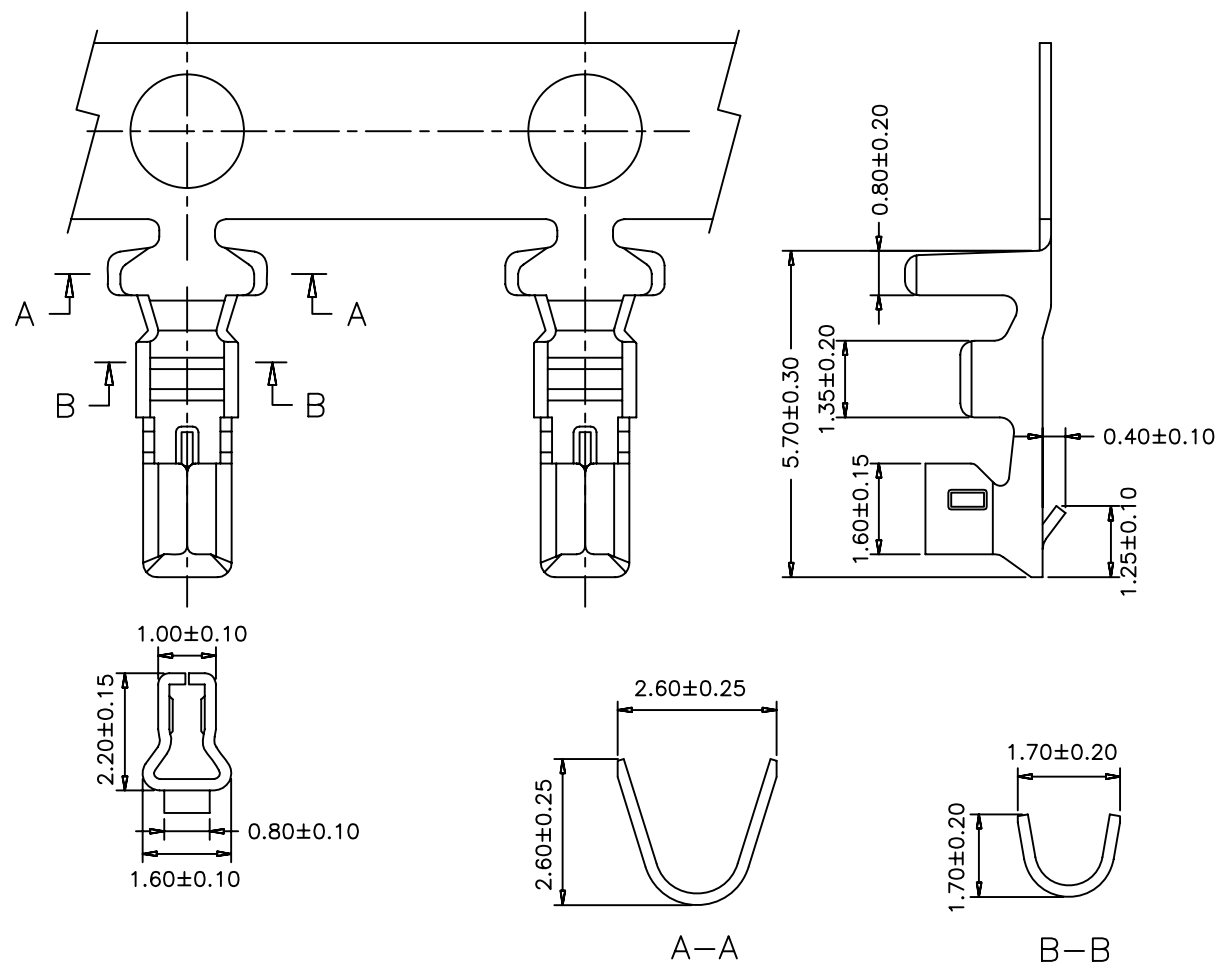


1 2 3 4 5 6 7 8 9 10


A
B
C
D
E
F
G

A
B
C
D
E
F
G



SPECIFICATIONS
 Voltage Rating: 250V AC/DC
 Current Rating: 3A AC/DC
 Withstanding Voltage: 800V AC/minute
 Insulation Resistance: 1000MΩ min.
 Temperature Range: -25° C - +85° C
 Contact Resistance: 20mΩ max

TERMINAL
 Part No: SCT2511T
 Wire Range: AWG#22-#28 (OD1.9mm)
 Material: Phosphor Bronze
 Finish: Tin Plated
 Thickness: 0.2mm
 Q`TY: 10,000PCS/Reel

						OPERATION	DRAW	SIMON	14/11/14	SCALE		 森康达电子有限公司 SCONDAR ELECTRONIC LIMITED	
						~ 10 ±0.15	DESIGN			UNIT	mm		
						20 ~ 30 ±0.30	CHECK	MICKY	14/11/14	SIZE	A4	PART NO.	SCT2511T
						30 ~ ±0.50	APPROVE	HELLEN	14/11/14	SHEET	1/1	TITLE:	EH2.5 TERMINAL
0	05/12/27		NEW			Angle ± 2'				PROJ.	☯	DRAWING NO.	SCT2511
REV	DATE		MODIFICATION DESCRIPTION	CHANGE	APPROVE	DIM TOL							

1 2 3 4 5 6 7 8 9 10