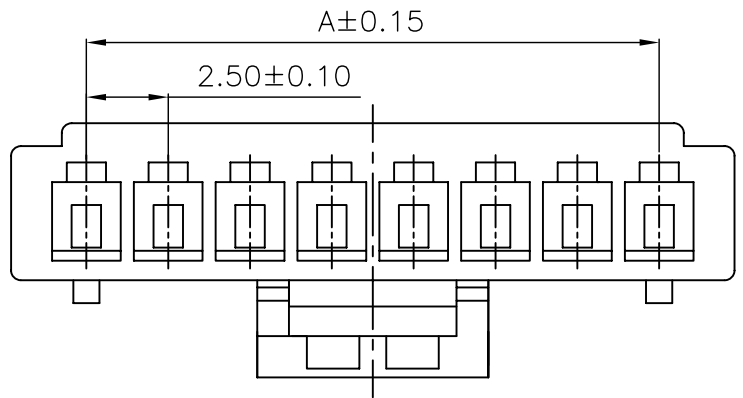
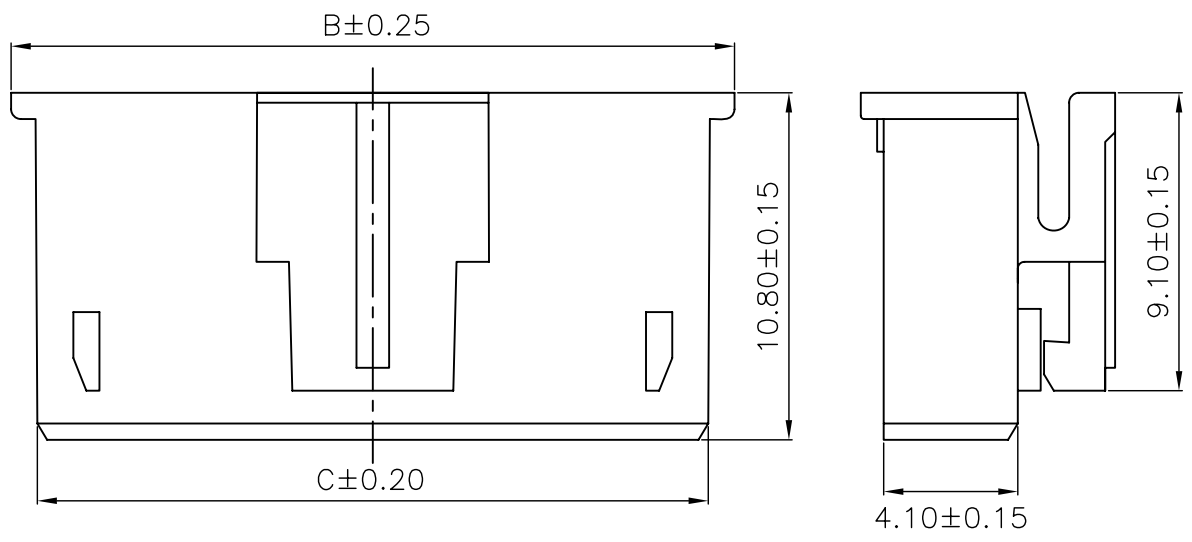


1 2 3 4 5 6 7 8 9 10

A
B
C
D
E
F
G



SPECIFICATIONS
 Voltage Rating: 250V AC/DC
 Current Rating: 2A AC/DC
 Withstanding Voltage: 500V AC/minute
 Insulation Resistance: 800MΩ min.
 Temperature Range: -25° C - +85° C
 Contact Resistance: 20mΩ max

HOUSING
 Part No: SCT2509MH-XXP
 Poles: 2-15
 Material: Nylon 66, UL94V-2

PART NO	DIMENSION		
	A	B	C
SCT2509MH-02	2.50	7.10	5.60
SCT2509MH-03	5.00	9.60	8.00
SCT2509MH-04	7.50	12.10	10.60
SCT2509MH-05	10.00	14.60	13.10
SCT2509MH-06	12.50	17.10	15.60
SCT2509MH-07	15.00	19.60	18.10
SCT2509MH-08	17.50	22.10	20.60
SCT2509MH-09	20.00	24.60	23.10
SCT2509MH-10	22.50	27.10	25.60
SCT2509MH-11	25.00	29.60	28.10
SCT2509MH-12	27.50	32.10	30.60
SCT2509MH-13	30.00	34.60	33.10
SCT2509MH-14	32.50	37.10	35.60
SCT2509MH-15	35.00	39.60	38.10

A
B
C
D
E
F
G

					OPERATION	DRAW	Judy.Huang	2006/05/02	SCALE		森康达电子有限公司 SCONDAR ELECTRONIC LIMITED	
					~ 10 ±0.15	DESIGN			UNIT	mm		
					20 ~ 30 ±0.30	CHECK	Micky.Liu	2006/05/02	SIZE	A4	PART NO.	SCT2509MH-XXP
0	05/12/27				30 ~ ±0.50	APPROVE	Hellen.Li	2006/05/02	SHEET	1/1	TITLE:	SMH250 MALE HOUSING
REV	DATE	MODIFICATION DESCRIPTION	CHANGE	APPROVE	Angle ± 2° DIM TOL				PROJ.	⌀	DRAWING NO.	SCT2509

1 2 3 4 5 6 7 8 9 10

H