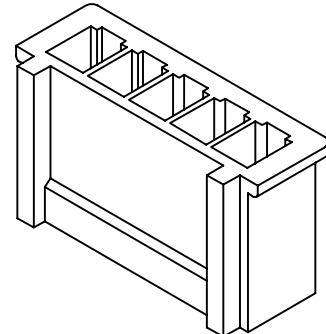
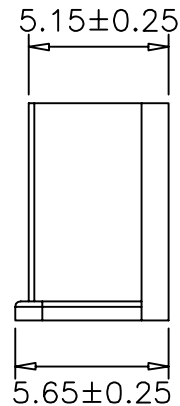
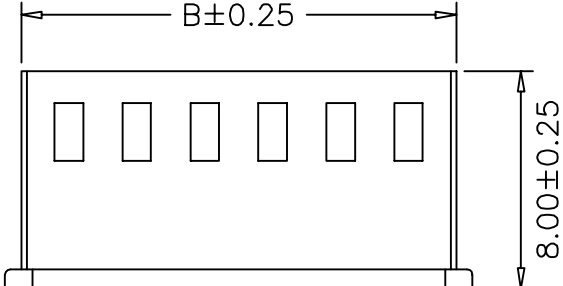
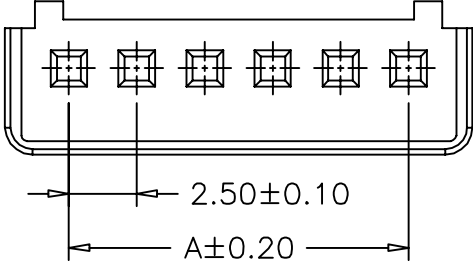


A
B
C
D
E
F
G

A
B
C
D
E
F
G

SPECIFICATIONS
 Voltage Rating: 250V AC/DC
 Current Rating: 3A AC/DC
 Withstanding Voltage: 800V AC/minute
 Insulation Resistance: 1000MΩ min.
 Temperature Range: -25° C - +85° C
 Contact Resistance: 20mΩ max

HOUSING
 Part No: SCT2503H-XXP
 Poles: 2-20
 Material: Nylon 66, UL94V-2



PART NO.	Dimensions	
	A	B
SCT2503H-02P	2.50	6.00
SCT2503H-03P	5.00	8.50
SCT2503H-04P	7.50	11.00
SCT2503H-05P	10.00	13.50
SCT2503H-06P	12.50	16.00
SCT2503H-07P	15.00	18.50
SCT2503H-08P	17.50	21.00
SCT2503H-09P	20.00	23.50
SCT2503H-10P	22.50	26.00
SCT2503H-11P	25.00	28.50
SCT2503H-12P	27.50	31.00
SCT2503H-13P	30.00	33.50
SCT2503H-14P	32.50	36.00
SCT2503H-15P	35.00	38.50
SCT2503H-16P	37.50	41.00
SCT2503H-17P	40.00	43.50
SCT2503H-18P	42.50	46.00
SCT2503H-19P	45.00	48.50
SCT2503H-20P	47.50	51.00

					OPERATION	DRAW	CHENA	05/12/27	SCALE		森康达电子有限公司 SCONDAR ELECTRONIC LIMITED		
					~ 10 ±0.15	DESIGN			UNIT	mm			
					20 ~ 30 ±0.30	CHECK	MICKY	05/12/28	SIZE	A4		PART NO.	SCT2503H-XXP
					30 ~ ±0.50	APPROVE	HELLEN	05/12/28	SHEET	1/1		TITLE:	Dupont 2.5 HOUSING
REV	DATE	MODIFICATION DESCRIPTION	CHANGE	APPROVE	Angle DIM	± 2' TOL			PROJ.	◆	DRAWING NO.	SCT2503	