

1 2 3 4 5 6 7 8 9 10

A  
B  
C  
D  
E  
F  
G

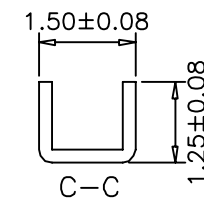
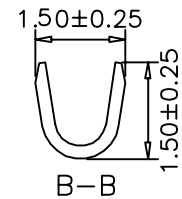
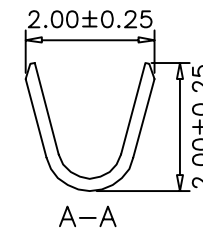
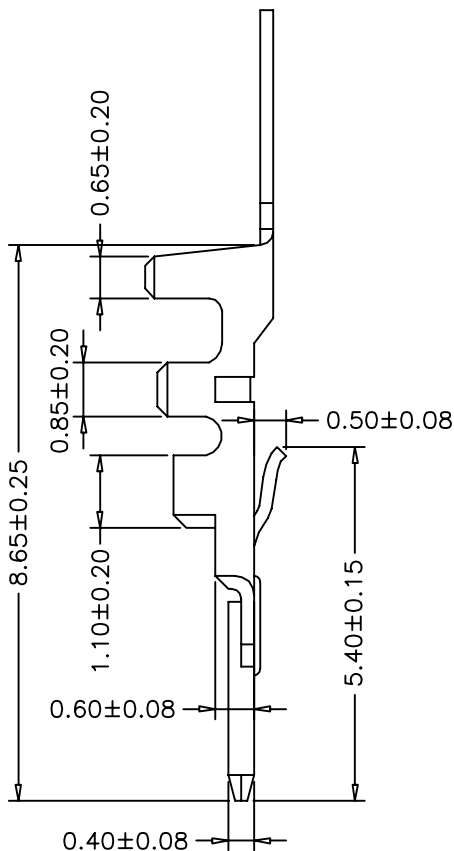
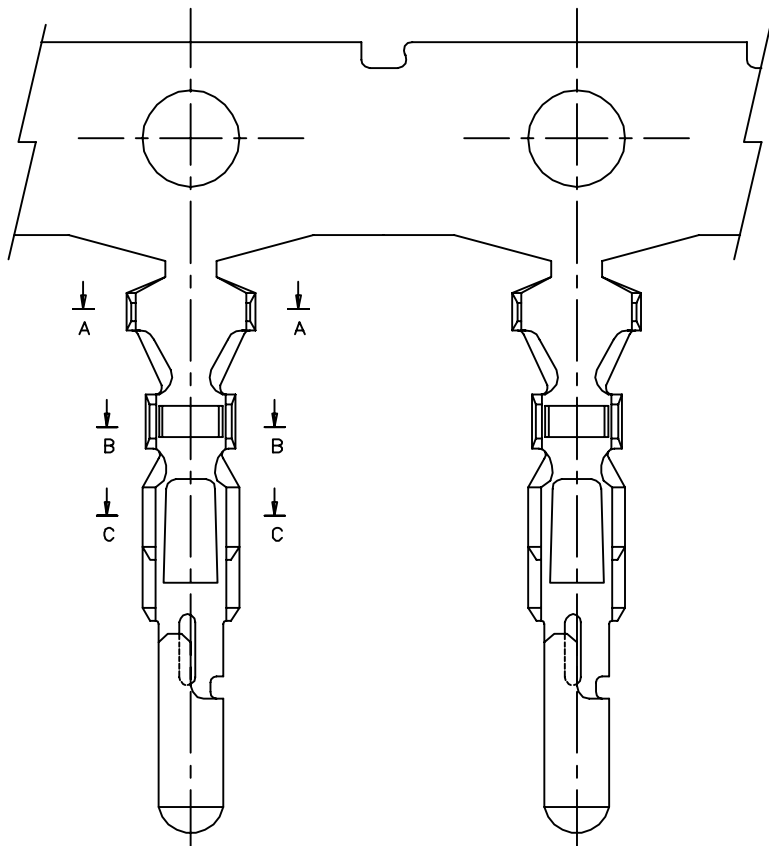
A  
B  
C  
D  
E  
F  
G

**SPECIFICATIONS**

Voltage Rating: 125V AC/DC  
 Current Rating: 2A AC/DC  
 Withstanding Voltage: 500V AC/minute  
 Insulation Resistance: 1,000MΩ min.  
 Temperature Range: -25° C - +85° C  
 Contact Resistance: 20mΩ max

**TERMINAL**

Part No: SCT2008MT  
 Wire Range: AWG#24-#28 (OD1.15mm)  
 Material: Brass  
 Finish: Tin Plated  
 Thickness: 0.2mm  
 Q 'TY: 10,000PCS/Reel



						OPERATION	DRAW	Judy.Huang	2007/10/02	SCALE		森康达电子有限公司 SCONDAR ELECTRONIC LIMITED	
						~ 10	DESIGN			UNIT	mm		
						20 ~ 30	CHECK	Micky.Liu	2007/10/02	SIZE	A4	PART NO.	SCT2008MT
0	05/12/27		NEW			30 ~	APPROVE	Hellen.Li	2007/10/02	SHEET	1/1	TITLE:	MX51006 MALE TERMIANL
REV	DATE		MODIFICATION DESCRIPTION	CHANGE	APPROVE	Angle DIM				PROJ.	DRAWING NO.		SCT2008

1 2 3 4 5 6 7 8 9 10