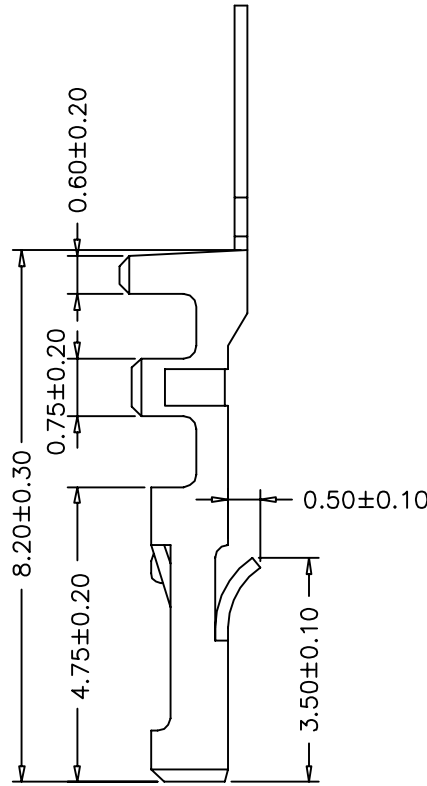
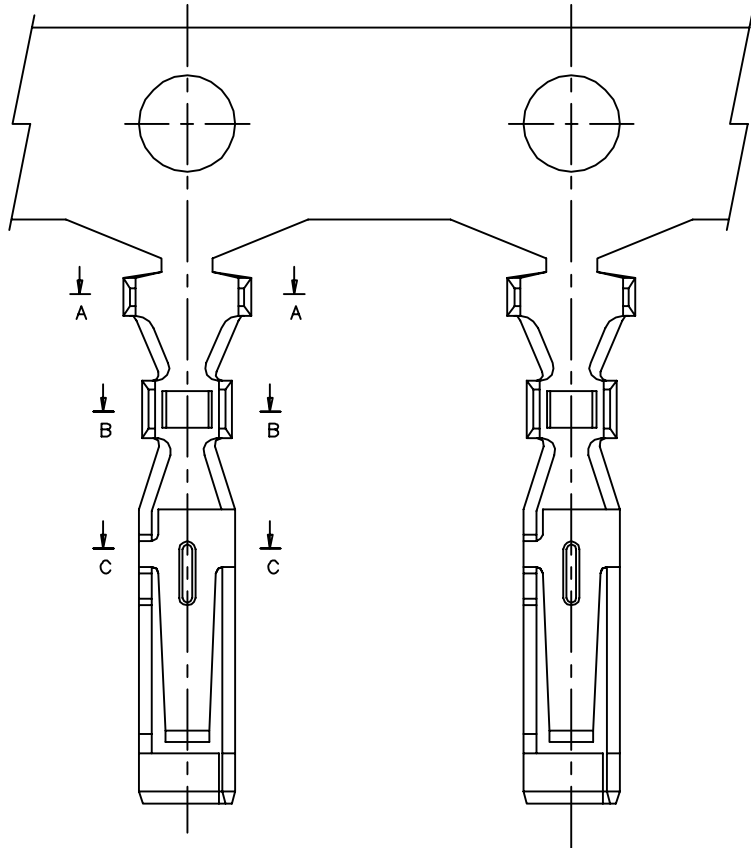


1 2 3 4 5 6 7 8 9 10

A
B
C
D
E
F
G

A
B
C
D
E
F
G

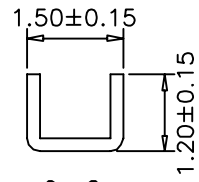
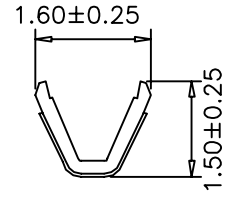
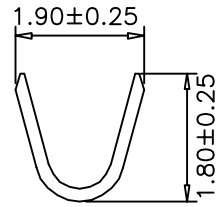
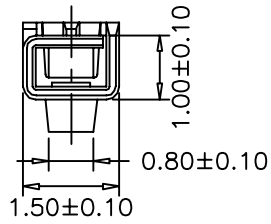


SPECIFICATIONS

Voltage Rating: 125V AC/DC
 Current Rating: 2A AC/DC
 Withstanding Voltage: 500V AC/minute
 Insulation Resistance: 1,000MΩ min.
 Temperature Range: -25° C - +85° C
 Contact Resistance: 20mΩ max

TERMINAL

Part No: SCT2008FT
 Wire Range: AWG#24-#28 (OD1.15mm)
 Material: Brass
 Finish: Tin Plated
 Thickness: 0.20mm
 QTY: 10,000PCS/Reel



A-A

B-B

C-C

						OPERATION	DRAW	Judy.Huang	2007/10/02	SCALE		森康达电子有限公司 SCONDAR ELECTRONIC LIMITED	
						~ 10	DESIGN			UNIT	mm		
						20 ~ 30	CHECK	Micky.Liu	2007/10/02	SIZE	A4	PART NO.	SCT2008FT
						30 ~	APPROVE	Hellen.Li	2007/10/02	SHEET	1/1	TITLE:	MX51005 FEMALE TERMINAL
REV	DATE	MODIFICATION DESCRIPTION		CHANGE	APPROVE	Angle DIM	APPROVE	Hellen.Li	2007/10/02	PROJ.	DRAWING NO.	SCT2008	

1 2 3 4 5 6 7 8 9 10

H

H