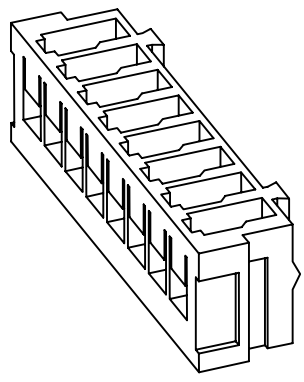
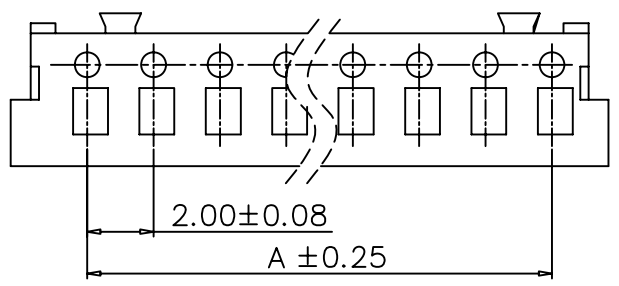
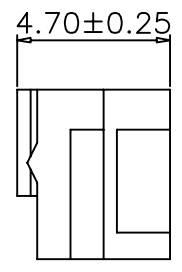
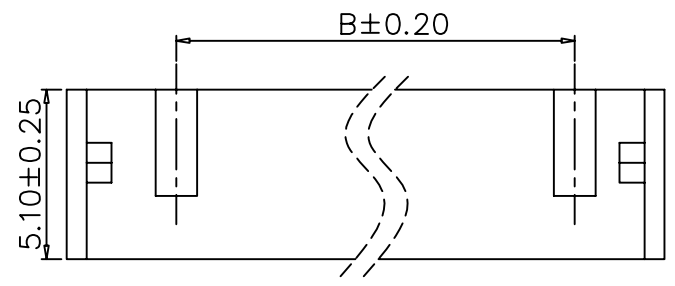
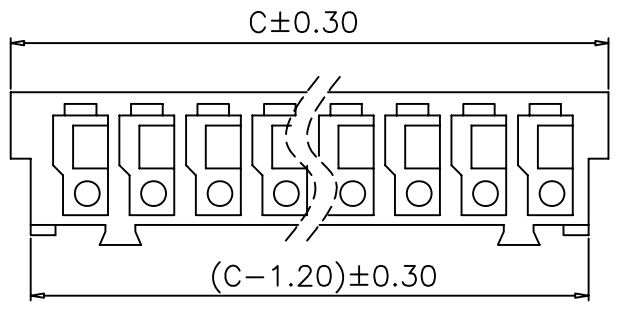


1 2 3 4 5 6 7 8 9 10

A
B
C
D
E
F
G

A
B
C
D
E
F
G



SPECIFICATIONS

Voltage Rating: 100V AC/DC
 Current Rating: 1A AC/DC
 Withstanding Voltage: 800V AC/minute
 Insulation Resistance: 1,000MΩ min.
 Temperature Range: -25° C - +85° C
 Contact Resistance: 20mΩ max

HOUSING

Part No: SCT2007H-XX
 Poles: 2-16
 Material: Nylon 66, UL94V-0

PART NO.	Dimensions		
	A	B	.C
SCT2007H-02P	2.00		6.00
SCT2007H-03P	4.00		8.00
SCT2007H-04P	6.00	4.00	10.00
SCT2007H-05P	8.00	6.00	12.00
SCT2007H-06P	10.00	8.00	14.00
SCT2007H-07P	12.00	10.00	16.00
SCT2007H-08P	14.00	12.00	18.00
SCT2007H-09P	16.00	14.00	20.00
SCT2007H-10P	18.00	16.00	22.00
SCT2007H-11P	20.00	18.00	24.00
SCT2007H-12P	22.00	20.00	26.00
SCT2007H-13P	24.00	22.00	28.00
SCT2007H-14P	26.00	24.00	30.00
SCT2007H-15P	28.00	26.00	32.00

					OPERATION	DRAW	Judy.Huang	2006/05/02	SCALE		森康达电子有限公司 SCONDAR ELECTRONIC LIMITED	
					~ 10 ±0.15	DESIGN			UNIT	mm		
					20 ~ 30 ±0.30	CHECK	Micky.Liu	2006/05/02	SIZE	A4	PART NO.	SCT2007H-XXP
0	05/12/27		NEW		30 ~ ±0.50	APPROVE	Hellen.Li	2006/05/02	SHEET	1/1	TITLE:	AMP2.0 Housing
REV	DATE		MODIFICATION DESCRIPTION	CHANGE	APPROVE				PROJ.	↺	DRAWING NO.	SCT2007

1 2 3 4 5 6 7 8 9 10