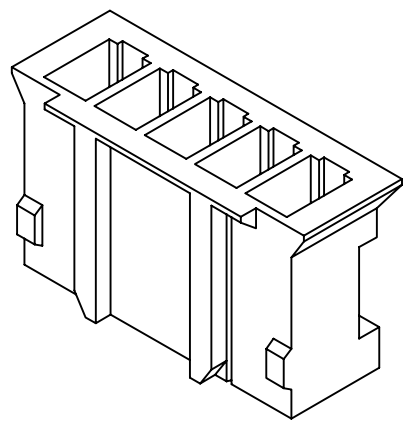
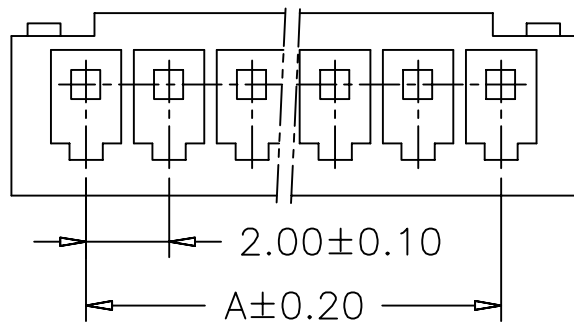


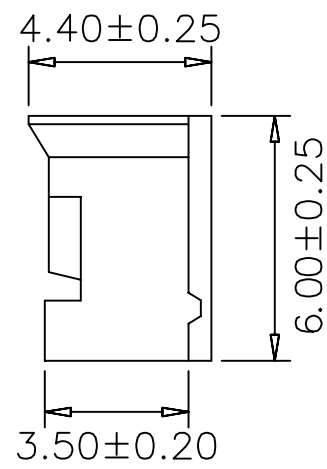
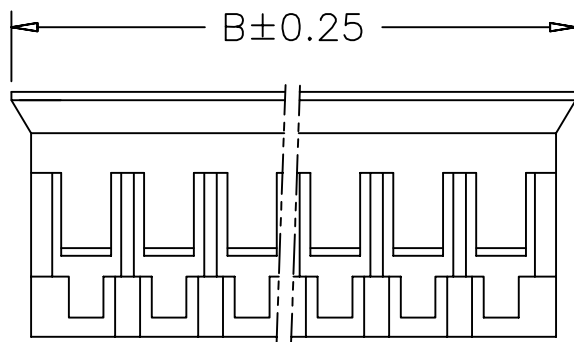
1 2 3 4 5 6 7 8 9 10

A
B
C
D
E
F
G



SPECIFICATIONS
 Voltage Rating: 250V AC/DC
 Current Rating: 2A AC/DC
 Withstanding Voltage: 800V AC/minute
 Insulation Resistance: 1,000MΩ min.
 Temperature Range: -25° C - +85° C
 Contact Resistance: 20mΩ max

HOUSING
 Part No: SCT2005H-XXP
 Poles: 2-15
 Material: Nylon 66, UL94V-0



PART NO.	Dimensions	
	A	B
SCT2005H-2P	2.00	5.60
SCT2005H-3P	4.00	7.60
SCT2005H-4P	6.00	9.60
SCT2005H-5P	8.00	11.60
SCT2005H-6P	10.00	13.60
SCT2005H-7P	12.00	15.60
SCT2005H-8P	14.00	17.60
SCT2005H-9P	16.00	19.60
SCT2005H-10P	18.00	21.60
SCT2005H-11P	20.00	23.60
SCT2005H-12P	22.00	25.60
SCT2005H-13P	24.00	27.60
SCT2005H-14P	26.00	29.60
SCT2005H-15P	28.00	31.60

					OPERATION	DRAW	Judy.Huang	2006/05/02	SCALE		森康达电子有限公司 SCONDAR ELECTRONIC LIMITED	
					~ 10 ±0.15	DESIGN			UNIT	mm		
					20 ~ 30 ±0.30	CHECK	Micky.Liu	2006/05/02	SIZE	A4	PART NO.	SCT2005H-XXP
0	05/12/27				30 ~ ±0.50	APPROVE	Hellen.Li	2006/05/02	SHEET	1/1	TITLE:	JAE2.0 HOUSING
REV	DATE	MODIFICATION DESCRIPTION	CHANGE	APPROVE	Angle DIM				PROJ.	⌀	DRAWING NO.	SCT2005H

1 2 3 4 5 6 7 8 9 10