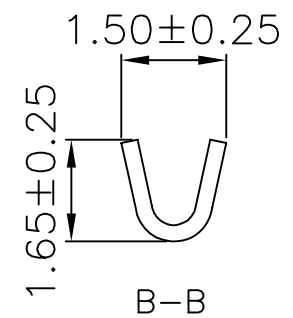
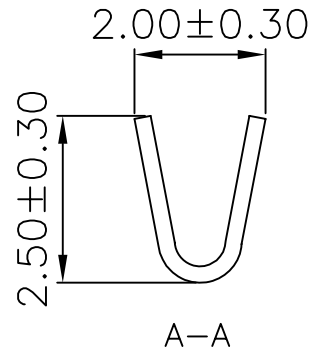
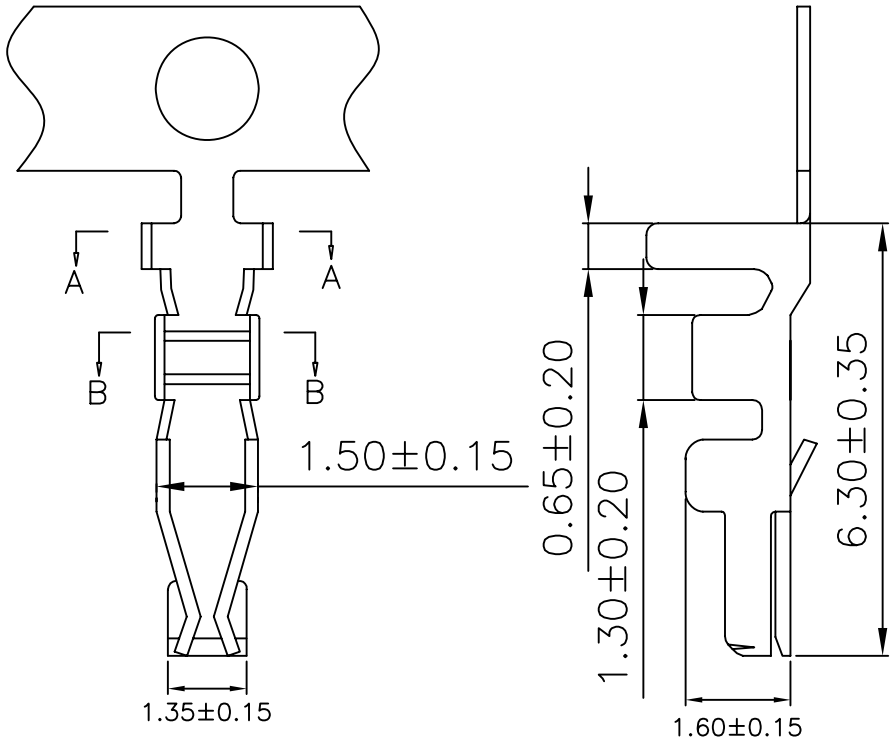



**SPECIFICATIONS**

Voltage Rating: 250V AC/DC  
 Current Rating: 3A AC/DC  
 Withstanding Voltage: 800V AC/minute  
 Insulation Resistance: 1,000MΩ min.  
 Temperature Range: -25° C - +85° C  
 Contact Resistance: 20mΩ max

**TERMINAL**

Part No: SCT2004T  
 Wire Range: AWG#24-#28 (OD1.5mm)  
 Material: Phos. Bronze  
 Finish: Tin Plated  
 Thickness: 0.2mm  
 Q'TY: 10,000PCS/Reel



					OPERATION	DRAW	Judy.Huang	2006/05/02	SCALE		 <b>森康达电子有限公司</b> SCONDAR ELECTRONIC LIMITED	
					~ 10 ±0.15	DESIGN			UNIT	mm		
					20 ~ 30 ±0.30	CHECK	Micky.Liu	2006/05/02	SIZE	A4	PART NO.	SCT2004T
					30 ~ ±0.50	APPROVE	Hellen.Li	2006/05/02	SHEET	1/1	TITLE:	PHD2.0 TERMINAL
REV	DATE	MODIFICATION DESCRIPTION	CHANGE	APPROVE	Angle DIM	TOL			PROJ.	◆	DRAWING NO.	SCT2004T