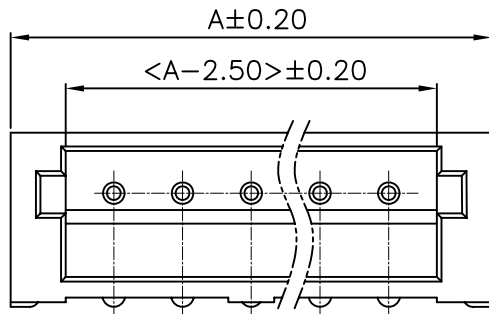


PCB Layout




SPECIFICATIONS

Voltage rating: 100V AC, DC  
 Current rating: 1A, AC, DC (AWG#26)  
 Withstanding Voltage: 500V AC/minute  
 Insulation resistance: 500M  $\Omega$  min  
 Temperature range: -25 $^{\circ}$ C - +85 $^{\circ}$ C  
 Contact resistance: 20m $\Omega$  max

WAFER

Part No: SCT1501WR-S-XXPT  
 Poles: 02-16  
 Material: Nylon 46, UL94V-0  
 Contact: Brass, Tin plated  
 Q' TY: 1000 pcs/bag

PART NO.	Dimensions	
	A	B
SCT1501WR-S-02PT	6.00	1.50
SCT1501WR-S-03PT	7.50	3.00
SCT1501WR-S-04PT	9.00	4.50
SCT1501WR-S-05PT	10.50	6.00
SCT1501WR-S-06PT	12.00	7.50
SCT1501WR-S-07PT	13.50	9.00
SCT1501WR-S-08PT	15.00	10.50
SCT1501WR-S-09PT	16.50	12.00
SCT1501WR-S-10PT	18.00	13.50
SCT1501WR-S-11PT	19.50	15.00
SCT1501WR-S-12PT	21.00	16.50
SCT1501WR-S-13PT	22.50	18.00

					OPERATION	DRAW	Judy.Huang	2006/05/02	SCALE		 森康达电子有限公司 SCONDAR ELECTRONIC LIMITED		
					~ 10	±0.15			UNIT	mm			
					20 ~ 30	±0.30			SIZE	A4	PART NO.	SCT1501WR-S-XXPT	
					30 ~	±0.50			SHEET	1/1	TITLE:	ZH1.5 SMT 90C WAFER	
0	05/12/27		NEW		Angle	± 2'			APPROVE	Hellen.Li	2006/05/02	PROJ.	SCONDAR ELECTRONIC LIMITED
REV	DATE	MODIFICATION DESCRIPTION		CHANGE	APPROVE	DIM	TOL	APPROVE	Hellen.Li	2006/05/02	DRAWING NO.	SCT1501WR-S	