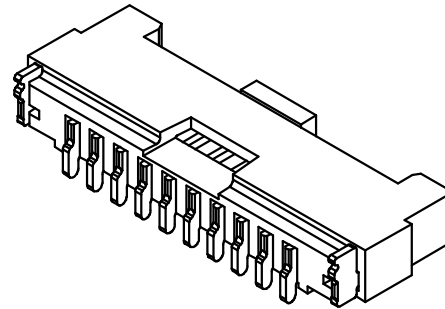
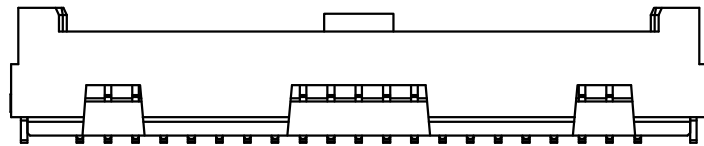


1 2 3 4 5 6 7 8 9 10

A



SPECIFICATIONS

Voltage rating: 150V AC, DC
 Current rating: 1A, AC, DC (AWG#28)
 Withstanding voltage: 500V AC/minute
 Insulation resistance: 500MΩ min
 Temperature range: -40°C - +85°C
 Contact resistance: 20mΩ max

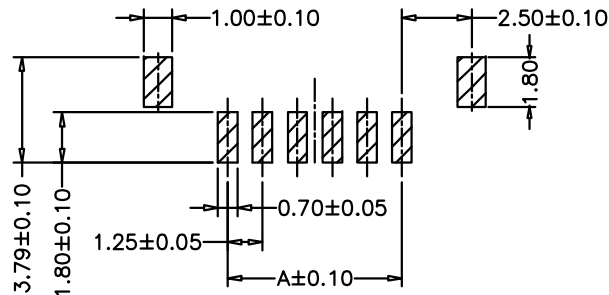
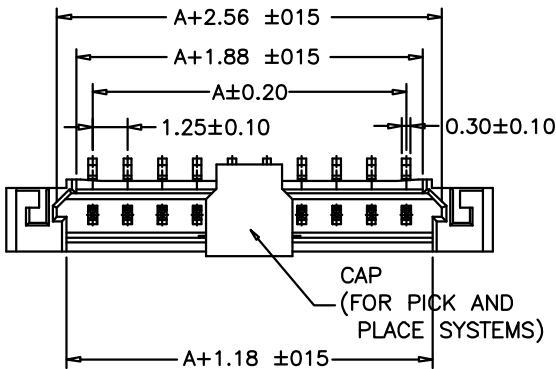
WAFER

Part No. :SCT1253WVA-S-XXP
 Poles:2-30
 Material:Nylon 9T, UL94V-0
 Pin:Brass, Tin plated
 Solder Tabs:Brass, Tin plated

21P~30P
 SCALE 0.8:1

B

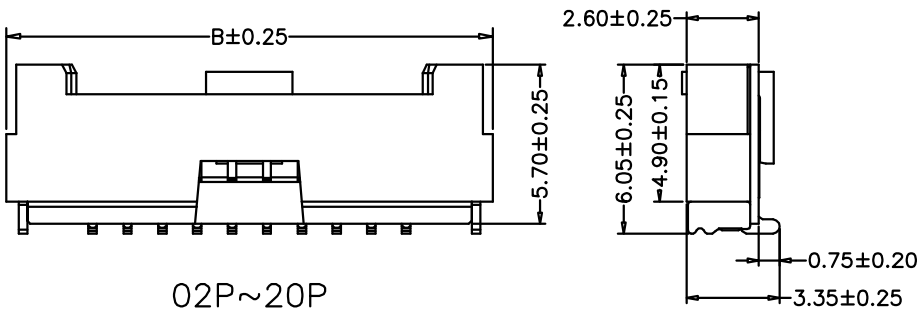
C



P.C.B. LAYOUT

E

F



02P~20P

PART NO.	Dimensions	
	A	B
SCT1253WVA-S-02P	1.25	7.45
SCT1253WVA-S-03P	2.50	8.70
SCT1253WVA-S-04P	3.75	9.95
SCT1253WVA-S-05P	5.00	11.20
SCT1253WVA-S-06P	6.25	12.45
SCT1253WVA-S-07P	7.50	13.70
SCT1253WVA-S-08P	8.75	14.95
SCT1253WVA-S-09P	10.00	16.20
SCT1253WVA-S-10P	11.25	17.45
SCT1253WVA-S-11P	12.50	18.70
SCT1253WVA-S-12P	13.75	19.95
SCT1253WVA-S-13P	15.00	21.20
SCT1253WVA-S-14P	16.25	22.45
SCT1253WVA-S-15P	17.50	23.70
SCT1253WVA-S-20P	23.75	29.95
SCT1253WVA-S-25P	30.00	36.20
SCT1253WVA-S-30P	36.25	42.45

H

					OPERATION	DRAW	Judy Luo	05/12/25	SCALE		森康达电子有限公司 S'CONDAR ELECTRONIC LIMITED	
					~ 10 ±0.15	DESIGN			UNIT	mm		
					20 ~ 30 ±0.30	CHECK	Micky	05/12/25	SIZE	A4	PART NO.	SCT1253WVA-S-XXP
0	05/12/27	NEW			30 ~ ±0.50	APPROVE	Hellen	05/12/25	SHEET	1/1	TITLE:	DF14 1.25 SMT 180C WAFER
REV	DATE	MODIFICATION DESCRIPTION	CHANGE	APPROVE	Angle ± 2° DIM TOL	APPROVE			PROJ.	◆	DRAWING NO.	SCT1253

1 2 3 4 5 6 7 8 9 10