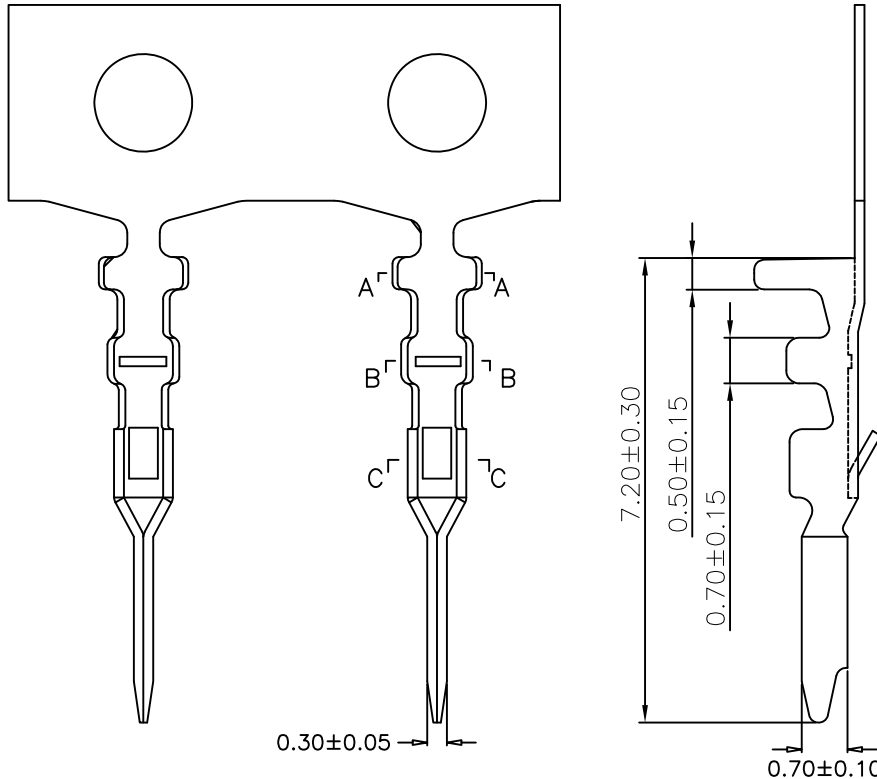


1 2 3 4 5 6 7 8 9 10

A
B
C
D
E
F
G

A
B
C
D
E
F
G

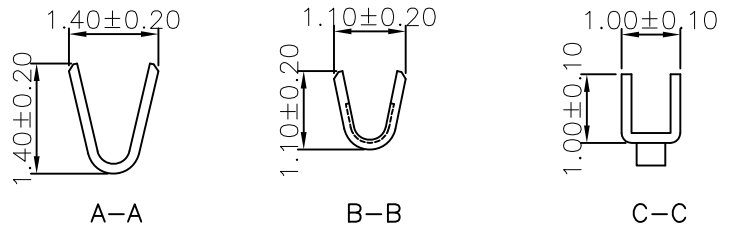


SPECIFICATIONS

Voltage rating: 125V AC, DC
 Current rating: 1A, AC, DC (AWG#28)
 Withstanding voltage: 500V AC/minute
 Insulation resistance: 100M Ω min
 Temperature range: -40°C - +85°C
 Contact resistance: 20m Ω max

TERMINAL

Part No. :SCT1251MT
 Thickness:0.15mm
 Material:Phosphor. Bronze
 Wire Range:AWG#28-#32
 Reel Q' ty:15,000pcs



						OPERATION	DRAW	Judy.Huang	2006/05/02	SCALE		森康达电子有限公司 S'CONDAR ELECTRONIC LIMITED	
						~ 10 ±0.15	DESIGN			UNIT	mm		
						20 ~ 30 ±0.30	CHECK	Micky.Liu	2006/05/02	SIZE	A4	PART NO.	SCT1251MT
0	05/12/27		NEW			30 ~ ±0.50	APPROVE	Hellen.Li	2006/05/02	SHEET	1/1	TITLE:	Molax1.25 Male Terminal
REV	DATE		MODIFICATION DESCRIPTION	CHANGE	APPROVE	Angle ± 2'				PROJ.	⊕	DRAWING NO.	SCT1251

1 2 3 4 5 6 7 8 9 10