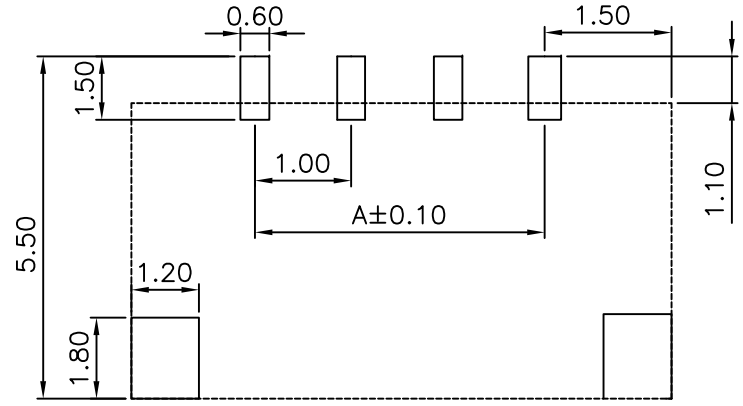
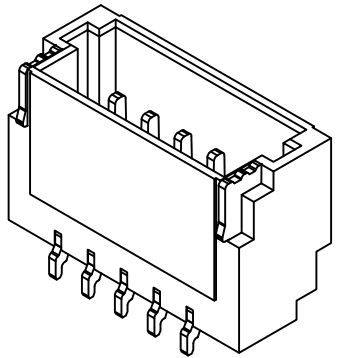


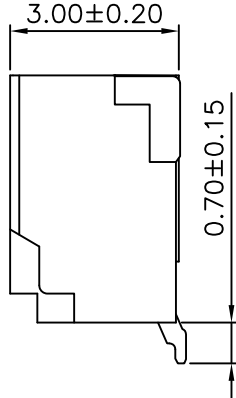
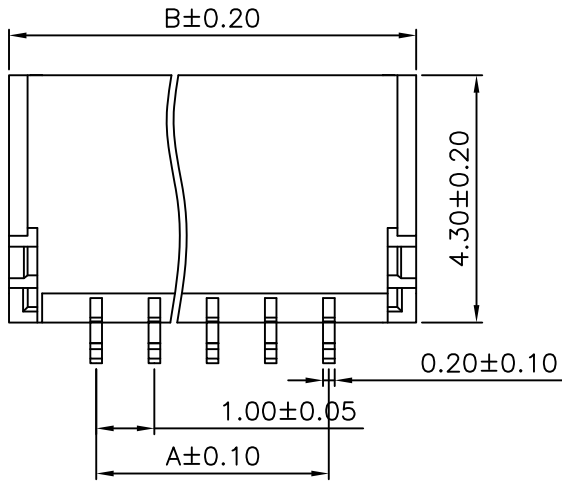
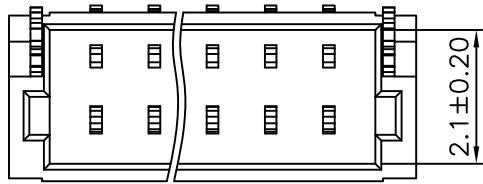
1 2 3 4 5 6 7 8 9 10

A
B
C
D
E
F
G

A
B
C
D
E
F
G



P.C.B LAYOUT



SPECIFICATIONS

Voltage rating: 50V AC, DC
 Current rating: 1.0A AC/DC (AWG#28)
 Withstanding voltage: 500V AC/minute
 Insulation resistance: 100M Ωmin
 Temperature range: -25 °C - +85 °C
 Contact resistance: 20m Ω max

WAFER

Part No. : SCT1001WR-S-XXP
 Poles: 2-20
 Material: Contact: Phos. Bronze, Tin Plated
 Base: PA9T, UL94V-0
 Q' TY: 1000 pcs/Tape & Reel

PART NO	DIMENSION	
	A	B
SCT1001WR-S-02	1.00	4.00
SCT1001WR-S-03	2.00	5.00
SCT1001WR-S-04	3.00	6.00
SCT1001WR-S-05	4.00	7.00
SCT1001WR-S-06	5.00	8.00
SCT1001WR-S-07	6.00	9.00
SCT1001WR-S-08	7.00	10.00
SCT1001WR-S-09	8.00	11.00
SCT1001WR-S-10	9.00	12.00
SCT1001WR-S-11	10.00	13.00

PART NO	DIMENSION	
	A	B
SCT1001WR-S-12	11.00	14.00
SCT1001WR-S-13	12.00	15.00
SCT1001WR-S-14	13.00	16.00
SCT1001WR-S-15	14.00	17.00
SCT1001WR-S-16	15.00	18.00
SCT1001WR-S-17	16.00	19.00
SCT1001WR-S-18	17.00	20.00
SCT1001WR-S-19	18.00	21.00
SCT1001WR-S-20	19.00	22.00

					OPERATION	DRAW	Micky.Liu	2006/05/02	SCALE		森康达电子有限公司 SCONDAR ELECTRONIC LIMITED		
					~ 10 ±0.15	DESIGN			UNIT	mm			
					20 ~ 30 ±0.30	CHECK	Judy.Huang	2006/05/02	SIZE	A4		PART NO.	SCT1001WR-S-XXP
					30 ~ ±0.50	APPROVE	Hellen.Li	2006/05/02	SHEET	1/1		TITLE:	SH1.0 90C SMT WAFER
0	05/12/27	NEW			Angle ± 2'				PROJ.	◆ ←		DRAWING NO.	SCT1001
REV	DATE	MODIFICATION DESCRIPTION	CHANGE	APPROVE	DIM	TOL							

1 2 3 4 5 6 7 8 9 10