

1 2 3 4 5 6 7 8 9 10

A

B

C

D

E

F

G

H

A

B

C

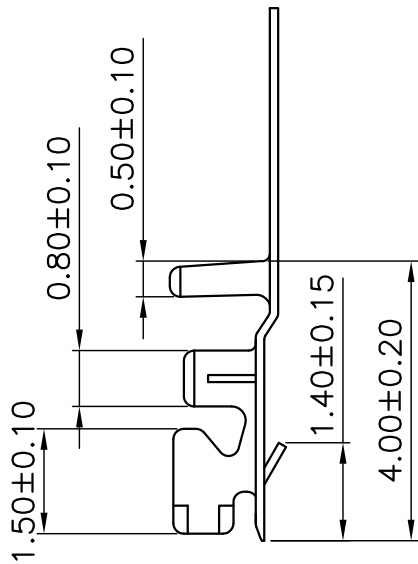
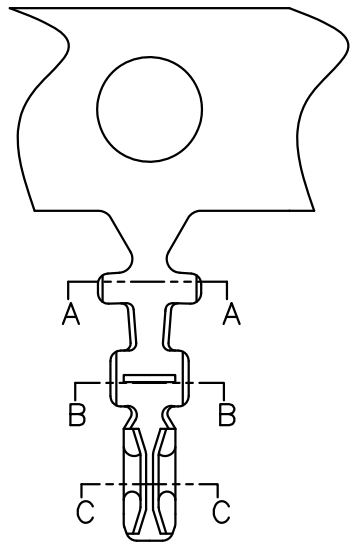
D

E

F

G

H

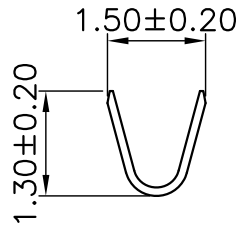


**SPECIFICATIONS**

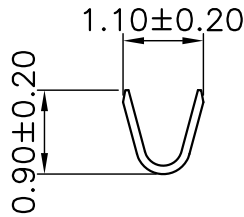
Voltage rating: 50V AC, DC  
 Current rating: 1.0A AC/DC  
 Withstanding Voltage: 500V AC/minute  
 Insulation resistance: 100M Ωmin  
 Temperature range: -25 °C - +85°C  
 Contact resistance: 20mΩ max

**TERMINAL**

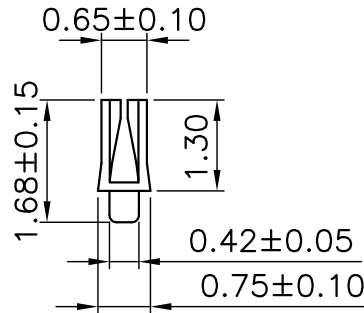
Part No: SCT1001T  
 Thickness: 0.12mm  
 Material: Phosphor. Bronze, Tin Plated.  
 Wire Range: AWG#28-#32 (OD0.8mm)  
 Reel Q' ty: 20,000 pcs/reel




A-A



B-B



C-C

					OPERATION	DRAW	Micky.Liu	2006/05/02	SCALE		 森康达电子有限公司 S'CONDAR ELECTRONIC LIMITED	
					~ 10 ±0.15	DESIGN			UNIT	mm		
					20 ~ 30 ±0.30	CHECK	Judy.Huang	2006/05/02	SIZE	A4	PART NO.	SCT1001T
0	05/12/27				30 ~ ±0.50	APPROVE	Hellen.Li	2006/05/02	SHEET	1/1	TITLE:	SH1.0 TERMINAL
REV	DATE	MODIFICATION DESCRIPTION		CHANGE	APPROVE				PROJ.	◆	DRAWING NO.	SCT1001

1 2 3 4 5 6 7 8 9 10