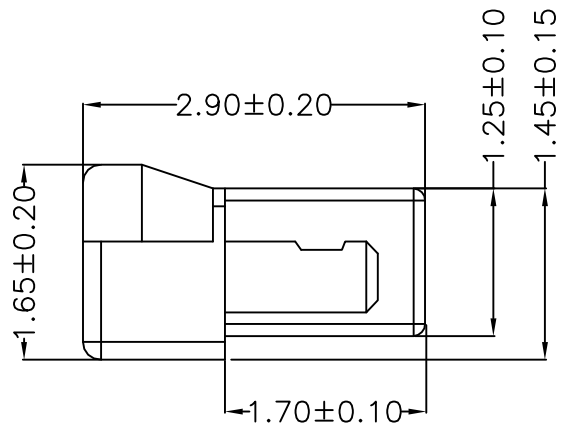
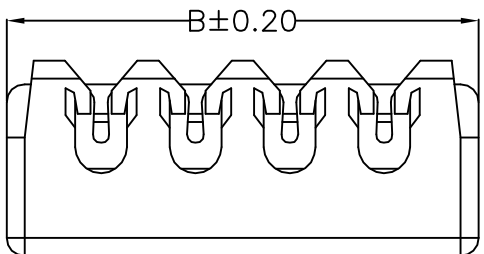


SPECIFICATIONS
 Current Rating: 0.5A AC,DC
 Voltage Rating: 30V AC,DC
 Temperature Range: -25°C ~ +85°C
 Contact Resistance: 20mΩ Max.
 Insulation Resistance: 100M Min.
 Withstanding Voltage: 200V AC/minute
 Contacts: Phosphor Bronze/Tin-plated
 Material: Nylon 46,UL94V-0
 Color: Natural(Beige)
 Applicable Wire: AWG#32
 Insulation O.D.: 0.38mm



PART NO.	Dimensions	
	A	B
SCT0800HI-02P	0.80	2.40
SCT0800HI-04P	2.40	4.00
SCT0800HI-08P	5.60	7.20
SCT0800HI-10P	7.20	8.80
SCT0800HI-12P	8.80	10.40
SCT0800HI-14P	10.40	12.00
SCT0800HI-15P	11.20	12.80
SCT0800HI-16P	12.00	13.60
SCT0800HI-17P	12.80	14.40
SCT0800HI-20P	15.20	16.80

					OPERATION	DRAW	Micky.Liu	2006/05/02	SCALE		森康达电子有限公司 S'CONDAR ELECTRONIC LIMITED	
					~ 10 ±0.15	DESIGN			UNIT	mm		
					20 ~ 30 ±0.30	CHECK	Judy.Huang	2006/05/02	SIZE	A4	PART NO.	SCT0800HI-XXP
0	05/12/27		NEW		30 ~ ±0.50	APPROVE	Hellen.Li	2006/05/02	SHEET	1/1	TITLE:	0.8 IDC HOUSING
REV	DATE		MODIFICATION DESCRIPTION	CHANGE	APPROVE	APPROVE			PROJ.	☯	DRAWING NO.	SCT0800