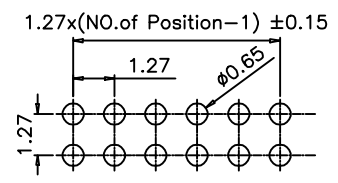
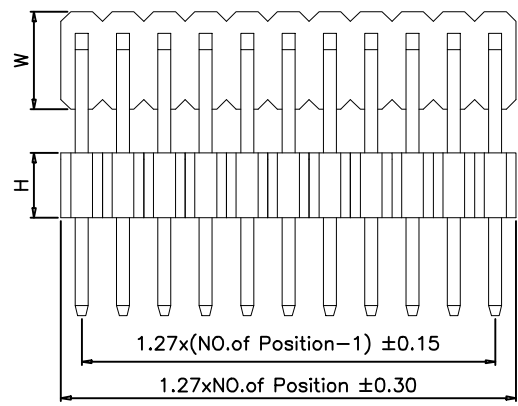


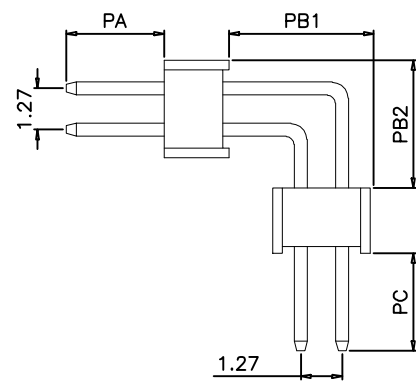
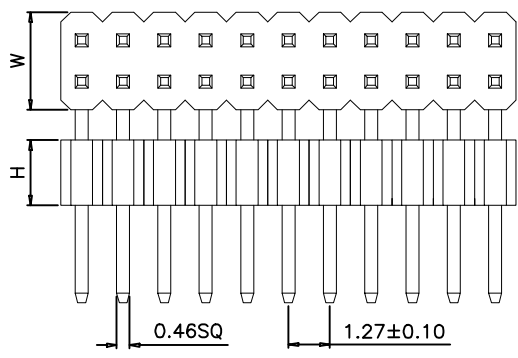
1 2 3 4 5 6 7 8 9 10

A  
B  
C  
D  
E  
F  
G

A  
B  
C  
D  
E  
F  
G



P.C.B LAYOUT



**SPECIFICATIONS**  
 Current Rating:1.0 Amps  
 Insulator Resistance:1000 Megohms Min.  
 Withstanding Voltage:300V AC/minute  
 Temperature Range: -40~+105°  
 Contact material:Brass  
 Finish: Gold or Tin plated  
 Insulator Material:Nylon6T,UL94V-0  
 Soldering Temperature:+220°C,10S max

Dimension						
H	W	PA	PB	PC	PD	PW
1.00	3.50	3.50	4.00	2.40	4.00	/
1.50	3.40	3.50	4.50	2.40	4.50	/
2.00	3.00	3.50	5.00	2.40	5.00	/
2.54	3.00	3.50	5.50	2.40	5.50	/

PH127RDHxx-RT-XXXP

Insulator height  
 1.0mm: 100  
 1.50mm: 150  
 1.70mm: 170  
 2.00mm: 200  
 2.54mm: 254

No. of Circuits  
 1: Single row  
 2: Dual row

ST: Straight 180°  
 RT: Right-angle 90°  
 SMT: Surface-Mount

					OPERATION	DRAW	SIMON	2010.03.06	SCALE		<b>森康达电子有限公司</b> SCONDAR ELECTRONIC LIMITED	
					~ 10 ±0.15	DESIGN			UNIT	mm		
					20 ~ 30 ±0.30	CHECK	MICKY	2010.03.06	SIZE	A4	PART NO.	PH127RDHxx-RT-2xXXP
0	05/12/27		NEW		30 ~ ±0.50	APPROVE	HELLEN	2010.03.06	SHEET	1/1	TITLE	1.27mm Pin Header Dual Row Right Angle Dip Type
REV	DATE		MODIFICATION DESCRIPTION	CHANGE	APPROVE				PROJ.	◆ ←		

1 2 3 4 5 6 7 8 9 10