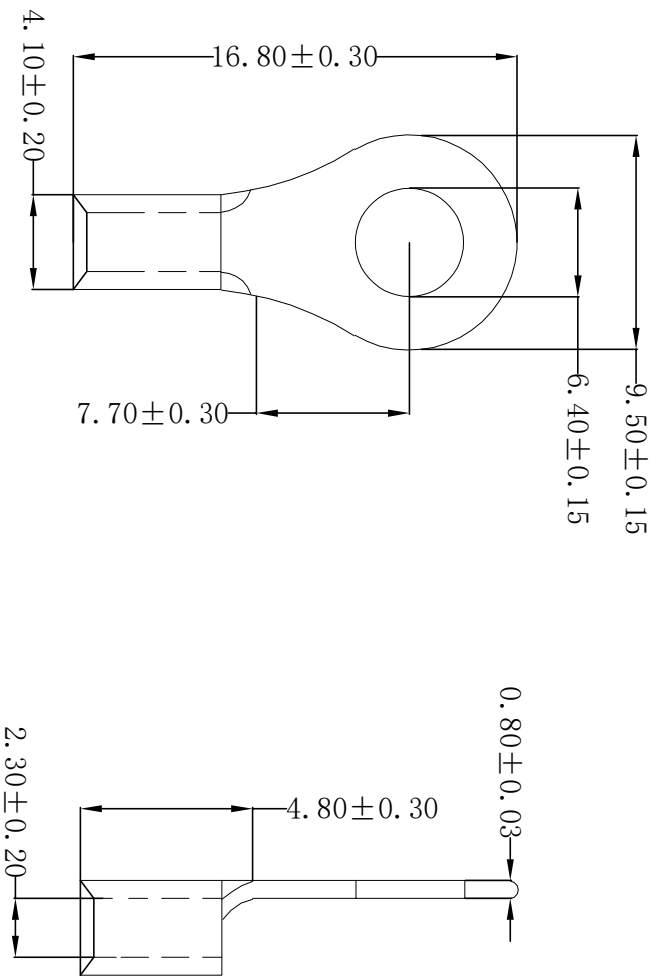



ROHS



Technical requirements:

- Material: Copper (紫铜)
- Applicable wire: 1.50~2.50mm²
- Surface treatment: Tin plating
- Plating thickness: 2.5um~5um
- Coating temperature: 120° /2H
- Max Current: 27A
- USA Screw: #1/4
- Appearance: the body should not be scratched or oxidized
- Meet rosh and customer environmental requirements

REV	DATE	MODIFICATION DESCRIPTION	CHANGE	APPROVE	OPERATION	DRAW	YANG	2016.06.06	SCALE	 SCONDAR ELECTRONIC LIMITED
A0	2016.06.06	NEW	---	---	DESIGN	Lisa	2016.06.06	UNIT		
					CHECK			mm		
					Angle			SIZE	A4	
					±0.35	APPROVE		SHEET	1/1	PART NO.
					±0.25			PROJ.		SCTRRB2-6S141
					±0.15					Terminal 640R copper Tin plated 1.5~2.5mm ²
					±3°					wire, ID:6.40mm OD:9.50mm MRQ=1kpcs
					TOL					