

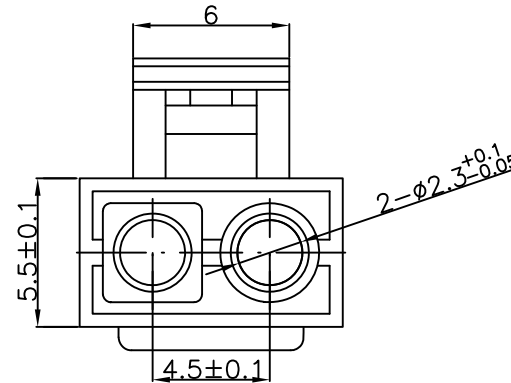
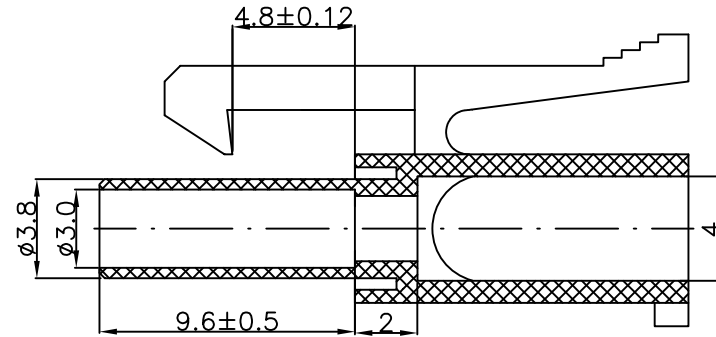
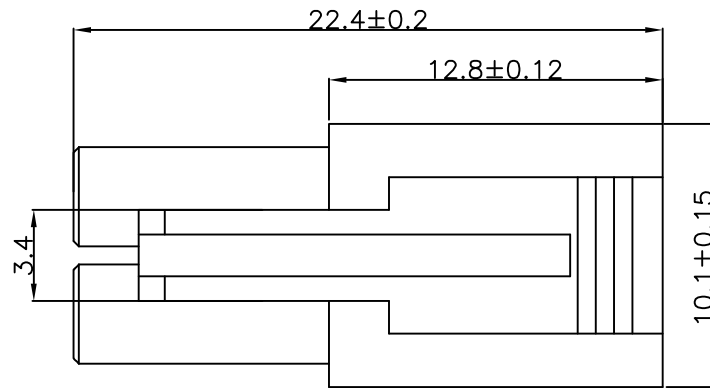
RoHS

Specification:

- Current Rating: 10A AC/DC
- Voltage Rating: 300V AC/DC
- Insulation Resistance: 1000MΩ Min
- Withstanding Voltage: 1500VAC(1Min)
- Contact resistance: 20mΩ Max
- Operation Temperature: -25°C to +85°C

Material:

- Insulator (Housing): Nylon 66 (UL94V-0)
- Color: White




Ordering Information

SCT4501MH -02 B WT 115

No.of Pins
02=2Pin

Insulation
B=PA66 V0

Color
WT=White

					OPERATION	DRAW	Peng	2021.07.10	SCALE	-	 SCONDAR ELECTRONIC LIMITED	
					X.X ±0.35	DESIGN			UNIT	mm		
A1	2021.07.10	Changed from SCT4501MH-02P to SCT4501MH-02BWT115			X.XX ±0.25		CHECK	Lisa	2021.07.10	SIZE		A4
AO	2019.10.15	NEW			X.XXX ±0.15	APPROVE	Allen	2021.07.10	SHEET	1/1		PART NO.
REV	DATE	MODIFICATION DESCRIPTION	CHANGE	APPROVE	Angle DIM	± 3' TOL	PROJECT	PROJECT	TITLE:	CL4.5 Male Housing Connector		