

RoHS

Specification:

- Current Rating: 7.5A AC/DC
- Voltage Rating: 250V AC/DC
- Insulation Resistance: 1000MΩ Min
- Withstanding Voltage: 1500VAC(1Min)
- Contact resistance: 20mΩ(Max).
- Operation Temperature: -25°C to +85°C

Material:

- Insulator (Housing): PA66 (UL94V-0)
- Color: White

Ordering Information

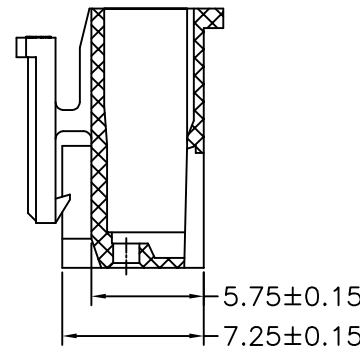
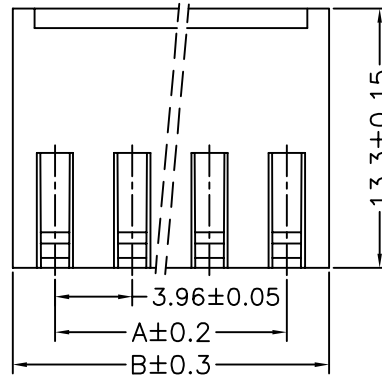
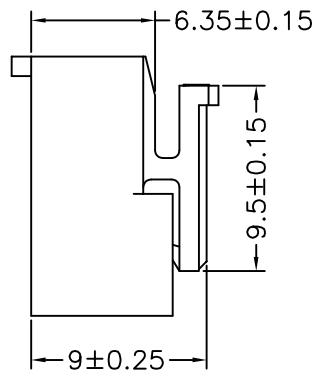
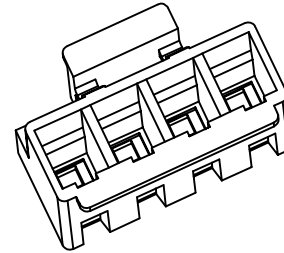
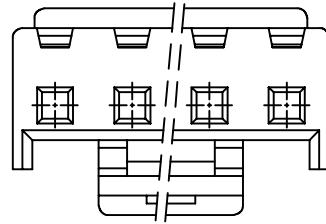
SCT3961MH - xx B WT 190

No. of Pins
See Table

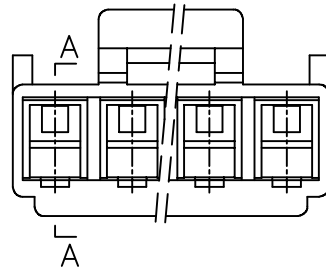
Insulation
B=PA66 V0


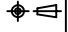
Color
WT=White

Poles	Dimensions	
	A	B
2	3.96	8.25
3	7.92	12.02
4	11.88	16.36
5	15.84	20.32
6	19.80	24.28
7	23.76	28.24
8	27.72	32.20
9	31.68	36.16
10	35.64	40.12
11	39.60	44.08
12	43.56	48.04
13	47.52	52.00
14	51.48	55.96
15	55.44	59.92
16	59.40	63.88



SEC:A-A



					OPERATION	DRAW	Xiong	2022.07.06	SCALE	-	 SCONDAR ELECTRONIC LIMITED		
		<div style="border: 2px solid red; padding: 2px; color: red; font-weight: bold;"> SCONDAR ELECTRONIC, LTD ENGINEER 20240729 </div>			X.X	±0.35			UNIT	mm			
					X.XX	±0.25	DESIGN			SIZE		A4	
A0	2022.07.06		NEW			X.XXX	±0.15	CHECK	Lisa	2022.07.08		SHEET	1/1
REV	DATE	MODIFICATION DESCRIPTION	CHANGE	APPROVE	Angle	± 3'	APPROVE			PROJ.	 TITLE:	PART NO.	SCT3961MH-xxBWT190
					DIM	TOL							VH 3.96mm PA66 V0 White xxPin Male Housing