

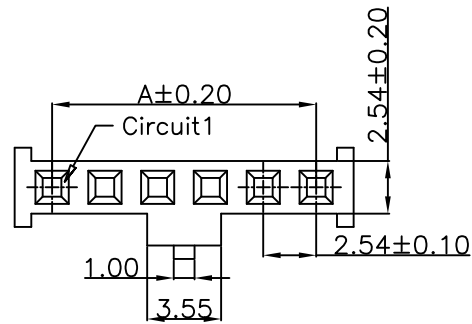
RoHS

Specification:

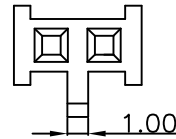
- Current Rating: 3A AC/DC
- Voltage Rating: 250V AC/DC
- Insulation Resistance: 1000MΩ Min
- Withstanding Voltage: 1500VAC(1Min)
- Contact resistance: 20mΩ(Max)
- Operation Temperature: -40°C to +105°C

Material:

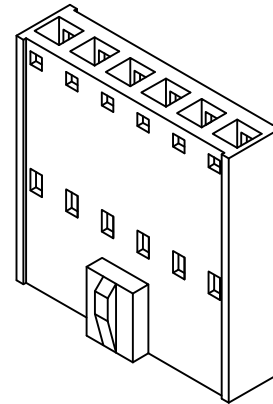
- Insulator (Housing): PBT (UL94V-0)
- Color: Black



4P~32P



2P~3P



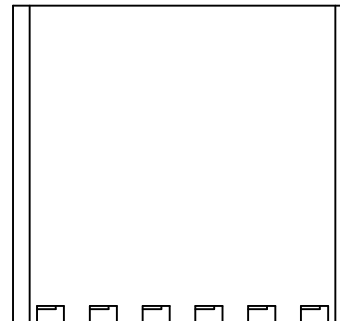
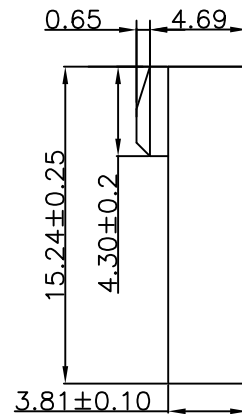
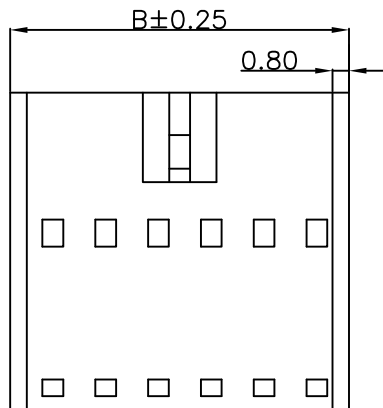
Ordering Information

SCT25410HA-xx D BK 107

No. of Pins
See Table

Insulation
D=PBT

Color
BK=Black



11	25.40	29.00	21	50.80	54.40	31	76.20	79.80
10	22.86	26.46	20	48.26	51.86	30	73.66	77.26
9	20.32	23.92	19	45.72	49.32	29	71.12	74.72
8	17.78	21.38	18	43.18	46.78	28	68.58	72.18
7	15.24	18.84	17	40.64	44.24	27	66.04	69.64
6	12.70	16.30	16	38.10	41.70	26	63.50	67.10
5	10.16	13.76	15	35.56	39.16	25	60.96	64.56
4	7.62	11.22	14	33.02	36.62	24	58.42	62.02
3	5.08	8.68	13	30.48	34.08	23	55.88	59.48
2	2.54	6.14	12	27.94	31.54	22	53.34	56.94
Poles	A	B	Poles	A	B	Poles	A	B
	Dimensions			Dimensions			Dimensions	

REV	DATE	MODIFICATION DESCRIPTION	CHANGE	APPROVE	OPERATION	DRAW	Peng	2021.07.10	SCALE	-	SCONDAR	SCONDAR ELECTRONIC LIMITED
A1	2021.07.10	Changed from SCT25410HA-xxP to SCT25410HA-xxDBK107			X.X	±0.35	DESIGN		UNIT	mm		
AO	2019.10.15	NEW			X.XX	±0.25	CHECK	Lisa	SIZE	A4		
					X.XXX	±0.15	CHECK	Allen	SHEET	1/1	PART NO.	SCT25410HA-xxDBK107
					Angle	± 3'	APPROVE	Allen	PROJ.	⊕	TITLE:	Molex90142 2.54mm Housing
					DIM	TOL						