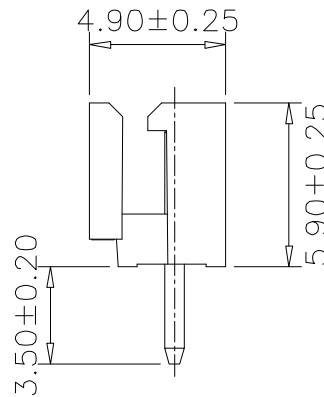
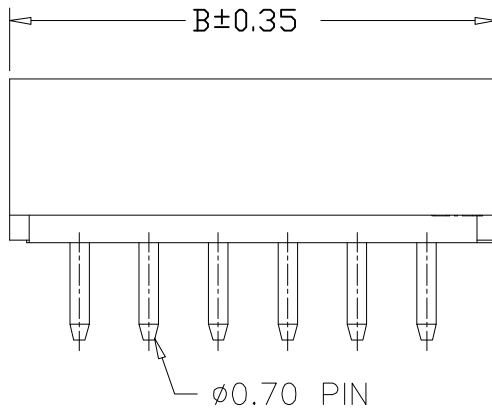
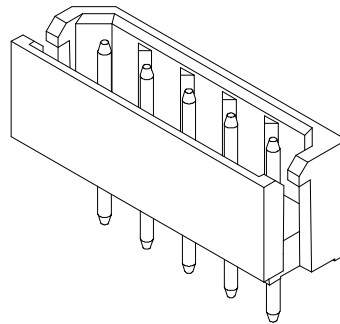
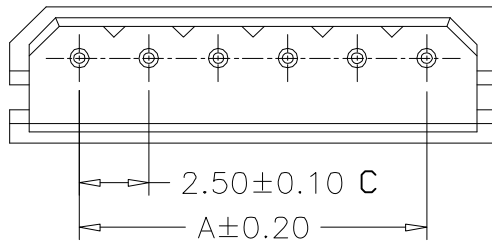
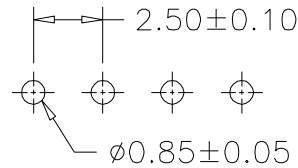


RoHS

Recommended P.C.B Layout
General Tolerance±0.05



Specification:

- Current Rating: 3A AC/DC
- Voltage Rating: 250V AC/DC
- Insulation Resistance: 1000MΩ Min
- Withstanding Voltage: 1000VAC Min
- Contact resistance: 20mΩ(Max).
- Operation Temperature: -25°C to +85°C

Material:

- Insulator (Housing): PA66 (UL94V-0)
- Contacts: Brass
- Solder: Tin Plated
- Color: Beige

Ordering Information

SCT2513WV - ** B 0 BE 119

No.of Pins See Table Insulation B=PA66 Package 0=PE Bag Color BE=Beige

东莞市赛凯达电子科技有限公司
工程专用章

受控

10	22.50	27.50			
9	20.00	25.00			
8	17.50	22.50			
7	15.00	20.00	16	37.50	42.50
6	12.50	17.50	15	35.00	40.00
5	10.00	15.00	14	32.50	37.50
4	7.50	12.50	13	30.00	35.00
3	5.00	10.00	12	27.50	32.50
2	2.50	7.50	11	25.00	30.00
Poles	A	B	Poles	A	B
	Dimensions			Dimensions	

					OPERATION	DRAW	Peng	2021.07.09	SCALE	-	 SCONDAR ELECTRONIC LIMITED
					X.X ±0.35	DESIGN			UNIT	mm	
A1	2021.07.09	Changed from SCT2513WV-xxP to SCT2513WV-xxBOBE119			X.XX ±0.25		CHECK	Lisa	2021.07.09	SIZE	
AO	2006.05.02	NEW			X.XXX ±0.15	APPROVE	Allen	2021.07.09	SHEET	1/1	
REV	DATE	MODIFICATION DESCRIPTION			CHANGE	APPROVE			PROJ.	 TITLE:	MX 2.50mm Pitch 180° Wafer Connector