

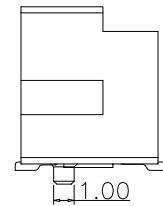
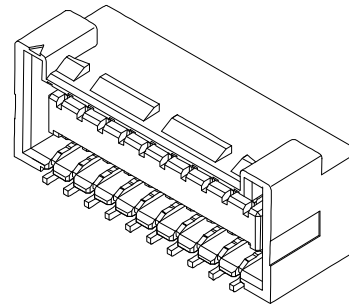
RoHS

Specification:

- Current Rating: 3A AC/DC
- Voltage Rating: 250V AC/DC
- Insulation Resistance: 1000MΩ Min
- Withstanding Voltage: 800VAC(1Min)
- Contact resistance: 20mΩ (Max).
- Operation Temperature: -25°C to +85°C

Material:

- Insulator (Housing): PA66 (UL94V-0)
- Color: White

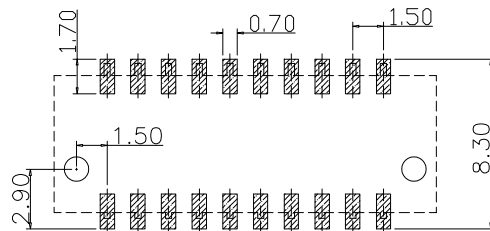
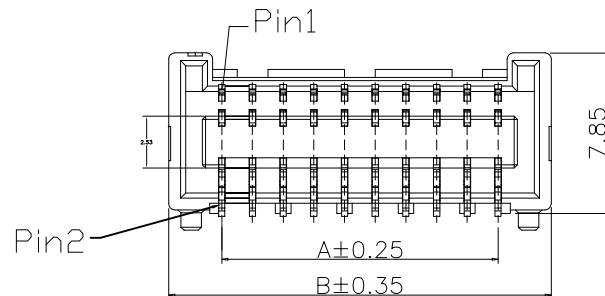
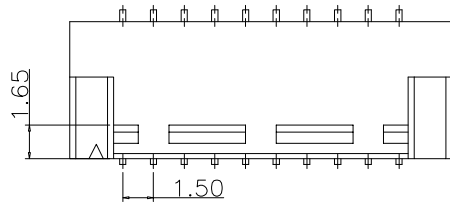


AP=Pillars

Ordering Information

SCT1507WRS-2XX F 1 BE 164

No. of Pins See Table	Insulation F=LCP V0	Package 0=PE Bag 1=Reel tape 2=Tube 3=Tray	Color BE=Begie WT=White
--------------------------	------------------------	--	-------------------------------



PCB LAYOUT

Dimensions		PIN
A	B	
6.00	11.20	2*5
7.50	12.70	2*6
9.00	14.20	2*7
10.50	15.70	2*8
12.00	17.20	2*9
13.50	18.70	2*10
15.00	20.20	2*11
16.50	21.70	2*12
18.00	23.20	2*13
19.50	24.70	2*14
21.00	26.20	2*15
22.50	27.70	2*16
24.00	29.20	2*17
25.50	30.70	2*18
27.00	32.20	2*19
28.50	33.70	2*20

SCONDAR ELECTRONIC, LTD  
ENGINEER APPROVED LYAO

					OPERATION	DRAW	Zhong	2019.07.06	SCALE	—	 SCONDAR ELECTRONIC LIMITED	
					X.X ±0.30	DESIGN			UNIT	mm		
					X.XX ±0.20	CHECK	Lisa	2019.07.06	SIZE	A4		
A0		NEW			X.XXX ±0.10	APPROVE			SHEET	1/1		
REV	DATE	MODIFICATION DESCRIPTION	CHANGE	APPROVE	EDIM	TOL	APPROVE		PROJ		Part No	SCT1507WRS-2xxF1BE164
									TITLE:		ZPD 1.5mm 2XXP BE LCP V0 SMT WR Socket	